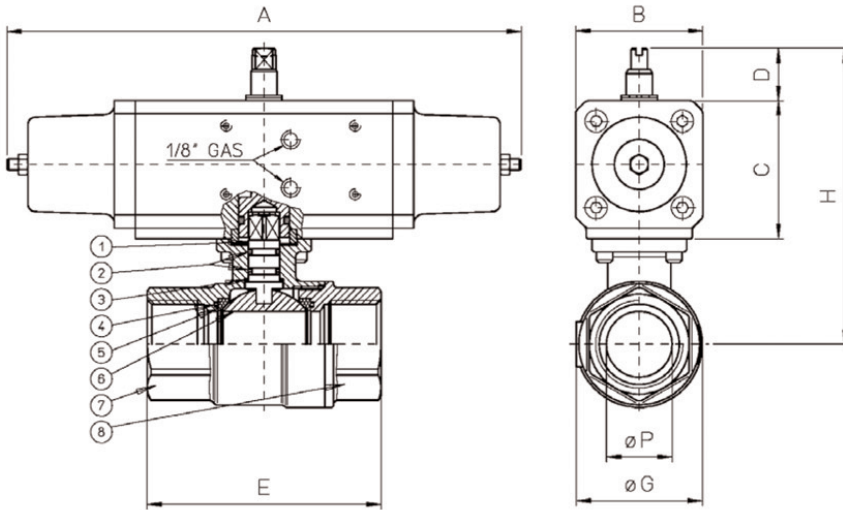


S100



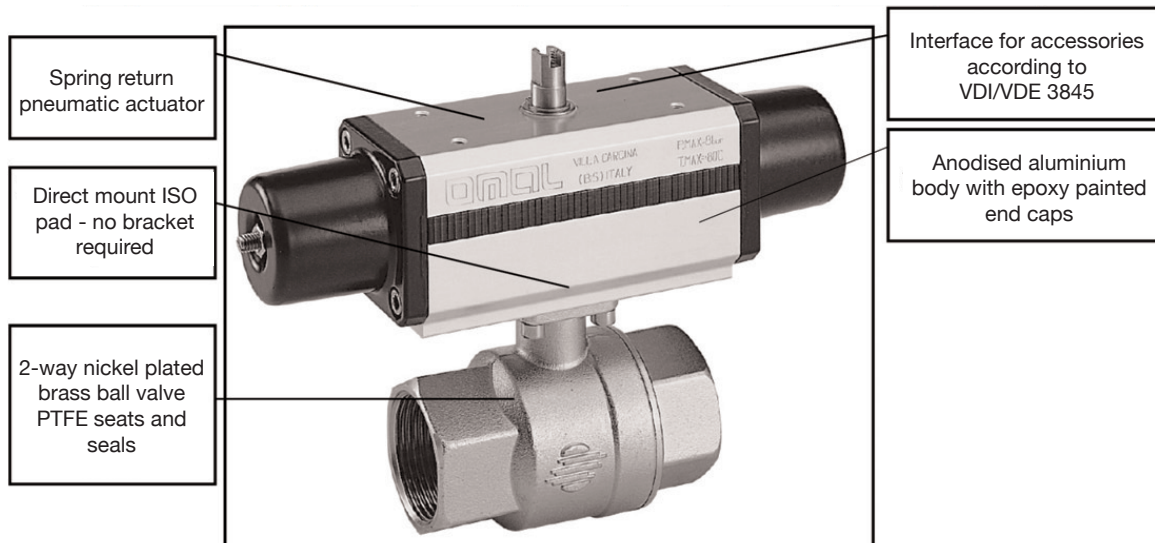
Spring Return Pneumatic Actuator and Two Way Nickel Plated Brass Ball Valve



- ISO 5211 Mounting Pad
- Working Temperature:
 Actuator: -20°C to +80°C (Dry Air)
 Valve: -20°C to +150°C

Dimensions

Part Reference		S100H003	S100H004	S100H005	S100H006	S100H007	S100H008	S100H009
Actuator Type		SR015401	SR015401	SR015401	SR015401	SR015401	SR015401	SR030401
Port Size F	BSP	3/8"	1/2"	3/4"	1"	1 1/4"	1 1/2"	2"
Bore ØP	mm	10	15	20	25	32	40	50
A	mm	221	221	221	221	221	221	240
B	mm	55	55	55	55	55	55	65
C	mm	60	60	60	60	60	60	70
D	mm	20	20	20	20	20	20	20
E	mm	69	69	77	89	103	114	134
ØG	mm	31.8	31.8	40.0	48.0	60.0	70.6	88.5
H	mm	110.5	110.5	116.3	120.2	131.5	138.0	155.3
Kv	m3/h	11	20	60	100	130	170	280
Weight	Kg	1.63	1.59	1.73	1.96	2.37	2.82	3.92



S100



Spring Return Pneumatic Actuator and Two Way Nickel Plated Brass Ball Valve

Actuator Features

- Quarter turn spring return pneumatic actuator
- Scotch yoke design
- Temperature range 0°C to +80°C (-20°C to +80°C with dry air)
- Air supply 5.6 Bar; maximum working pressure 8.4 Bar
- Operating media: compressed filtered air. In case of lubricated air, either non-detergent oil or NBR compatible oil must be used



Valve Features

- The valve is suitable for use with non-aggressive media at low pressures
- Working pressure: see diagram below
- Working temperature: -20°C to +150°C
- BSP threaded ports

Options

- Switch box or mechanical switches, (weatherproof, explosion proof, intrinsically safe)
- 3/2 NAMUR solenoid valve (weatherproof, explosion proof, intrinsically safe)
- Positioner (3-15psi, 0-10V or 4-20mA)
- Manual override gearbox
- Visual position indicator

VALVE MATERIALS			
1	Shaft	Brass	EN 12164 CW614N
2	Gland nut	Brass	
3	O-Ring	Viton	
4	Seals	P.T.F.E	
5	Seals	P.T.F.E	
6	Ball	Brass chromium plated	EN 12164 CW614N
7	Threaded end	Brass	EN 12165 CW617N
8	Body	Brass	EN 12165 CW617N

Surface treatment: bright nickel plating

