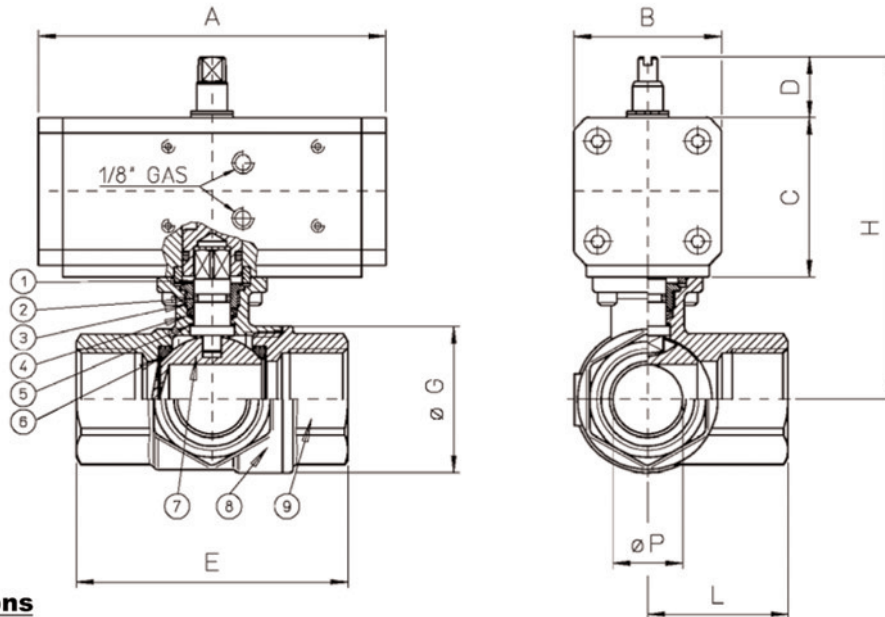


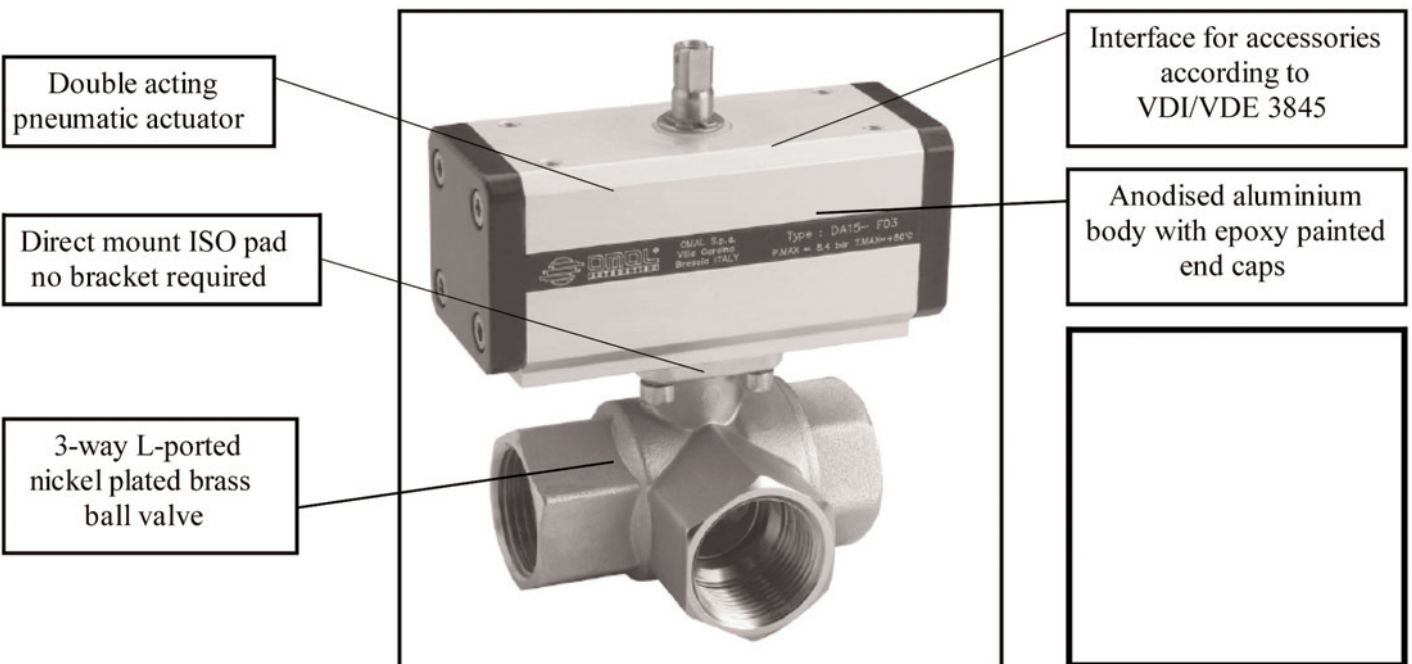
D153

Double Acting Pneumatic Actuator and Three Way L-Ported Nickel Plated Brass Ball Valve



Dimensions

Part Reference		D153H003	D153H004	D153H005	D153H006	D153H007	D153H008	D153H009
DN	mm	10	15	20	25	32	40	50
Port Size	BSP	3/8"	1/2"	3/4"	1"	1 1/4"	1 1/2"	2"
Bore ØP	mm	10	15	20	25	32	40	50
A	mm	70	70	115	115	130	130	144
B	mm	43.2	43.2	48.0	48.0	55.0	55.0	60.0
C	mm	42.7	42.7	52.0	52.0	60.0	60.0	65.7
D	mm	15	15	15	15	20	20	20
E	mm	69	69	77	89	103	114	134
ØG	mm	31.8	31.8	40.0	48.0	60.0	70.6	86.5
L	mm	33	33	38	46	54	61	73
H	mm	88.2	88.2	108.3	112.2	131.5	138.0	151.0
Kv	m ³ /h	2.5	3.5	5.5	9.2	20.0	37.2	48.7
Weight	kg	0.67	0.66	1.17	1.50	2.20	2.75	5.10



D153

Double Acting Pneumatic Actuator and Three Way L-Ported Nickel Plated Brass Ball Valve

Actuator Features

- Quarter turn pneumatic actuator
- Scotch yoke design
- Temperature range 0°C to +80°C (-20°C to +80°C with dry air)
- Air supply 5.6 Bar; maximum working pressure 8.4 Bar
- Operating media: compressed filtered air. In case of lubricated air, either non-detergent oil or NBR compatible oil must be used.

Valve Features

- 3-way L-ported ball valve for diverting/mixing service
- The valve is suitable for use with non-aggressive media at low pressures
- Working pressure: 16 Bar max
- Working temperature: -20°C to +120°C
- BSP threaded ports

Options

- Switch box or mechanical switches, (weatherproof, explosion proof, intrinsically safe)
- 5/2 NAMUR solenoid valve (weatherproof, explosion proof, intrinsically safe)
- Manual override gearbox
- Visual position indicator

VALVE MATERIALS

1) Shaft	Brass	EN 12164 CW614N
2) O-Ring	Viton	
3) Gland nut	Brass	EN 12164 CW614N
4) Shaft seal	P.T.F.E.	
5) Antifriction rings	P.T.F.E.	
6) Seals	P.T.F.E.	
7) Ball	Brass chromium plat.	EN 12164 CW614N
8) Body	Brass	EN 12165 CW617N
9) Threaded end	Brass	EN 12165 CW617N

Surface treatment: bright nickel plating

