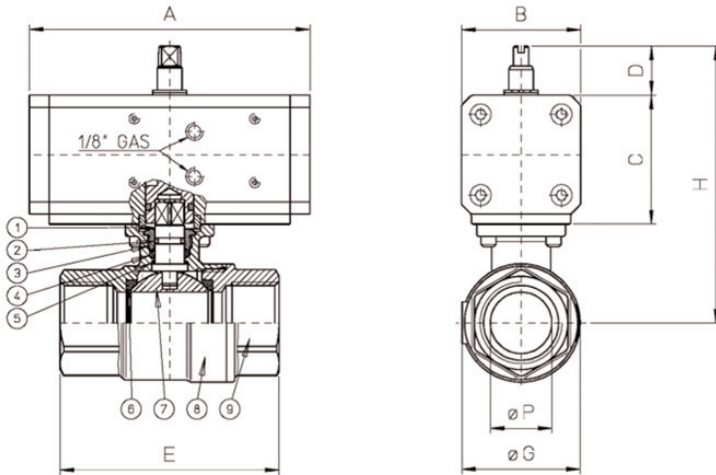


# D101



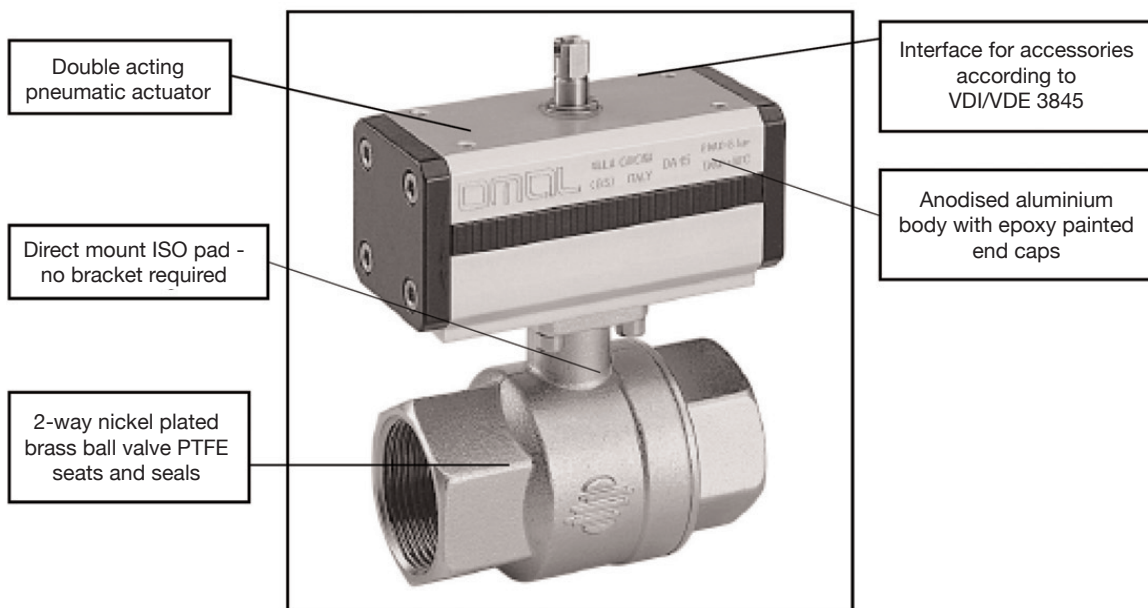
## Double Acting Pneumatic Actuator and 2 Way Nickel Plated Brass Ball Valve



- ISO 5211 Mounting Pad
- Working Temperature:  
**Actuator:** -20°C to +80°C (Dry Air)  
**Valve:** -20°C to +150°C

### Dimensions

Part Reference		D101H003	D101H004	D101H005	D101H006	D101H007	D101H008	D101H009	D101H010	D101H011
Actuator Type	mm	DA008401	DA008401	DA015401	DA015401	DA030401	DA030401	DA045401	DA090401	DA120401
Port Size	BSP	3/8"	1/2"	3/4"	1"	1 1/4"	1 1/2"	2"	2 1/2"	3"
Bore ØP	mm	10	15	20	25	32	40	50	65	80
A	mm	70.0	70.0	115.0	115.0	130.0	130.0	144.0	168.5	184.0
B	mm	43.2	43.2	48	48	55	55	60	72	80
C	mm	42.7	42.7	52.0	52.0	60.0	60.0	65.7	77.5	86.0
D	mm	15	15	15	15	20	20	20	20	30
E	mm	69	69	77	89	103	114	134	161	185
ØG	mm	31.8	31.8	40.0	48.0	60.0	70.6	88.5	112.0	138.4
H	mm	88.2	88.2	108.3	112.2	131.5	138.0	191.0	232.5	260.5
Kv	m <sup>3</sup> /h	11	20	60	100	130	170	280	510	770
Weight	Kg	0.62	0.58	1.16	1.39	2.07	2.52	3.87	5.83	9.48



# S100



## Double Acting Pneumatic Actuator and 2 Way Nickel Plated Brass Ball Valve

### Actuator Features

- Quarter turn spring return pneumatic actuator
- Scotch yoke design
- Temperature range 0°C to +80°C (-20°C to +80°C with dry air)
- Air supply 5.6 Bar; maximum working pressure 8.4 Bar
- Operating media: compressed filtered air. In case of lubricated air, either non-detergent oil or NBR compatible oil must be used



### Valve Features

- The valve is suitable for use with non-aggressive media at low pressures
- Working pressure: see diagram below
- Working temperature: -20°C to +150°C
- BSP threaded ports

### Options

- Switch box or mechanical switches, (weatherproof, explosion proof, intrinsically safe)
- 3/2 NAMUR solenoid valve (weatherproof, explosion proof, intrinsically safe)
- Positioner (3-15psi, 0-10V or 4-20mA)
- Manual override gearbox
- Visual position indicator

VALVE MATERIALS			
1	Shaft	Brass	EN 12164 CW614N
2	O-Ring	Viton	
3	Top sealing	P.T.F.E	
4	O-Ring	Viton	
5	Seals	P.T.F.E	
6	Ball	Brass chromium plated	EN 12164 CW614N
7	Body	Brass	EN 12165 CW617N
8	Threaded end	Brass	EN 12165 CW617N

**Surface treatment:** bright nickel plating

