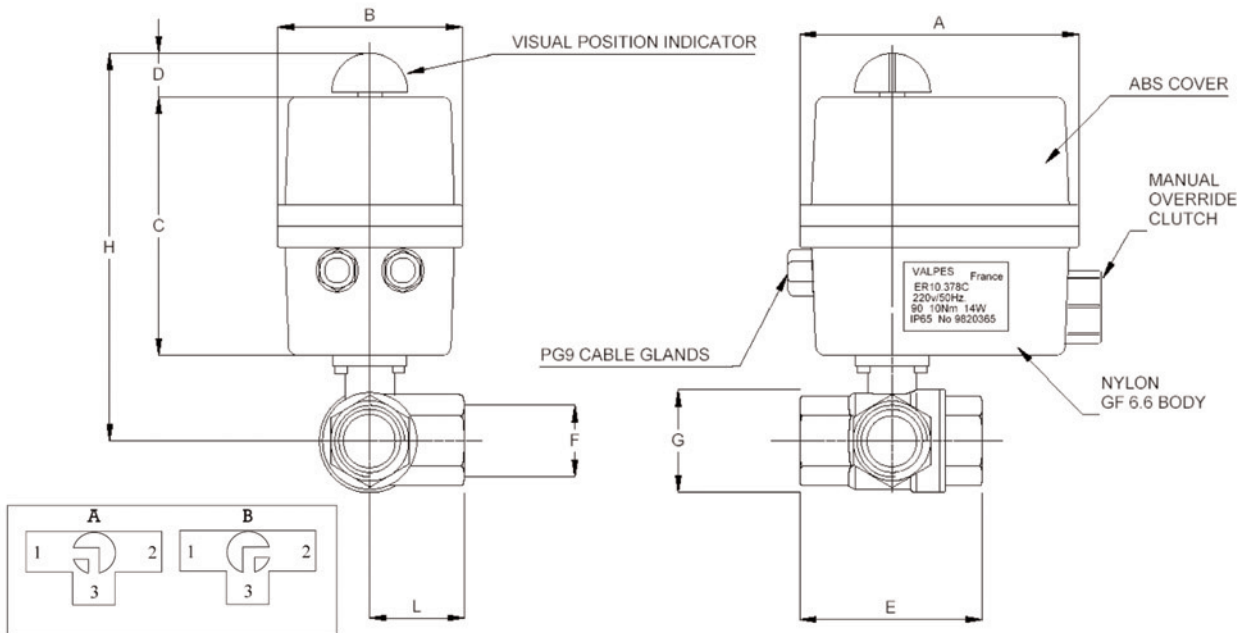
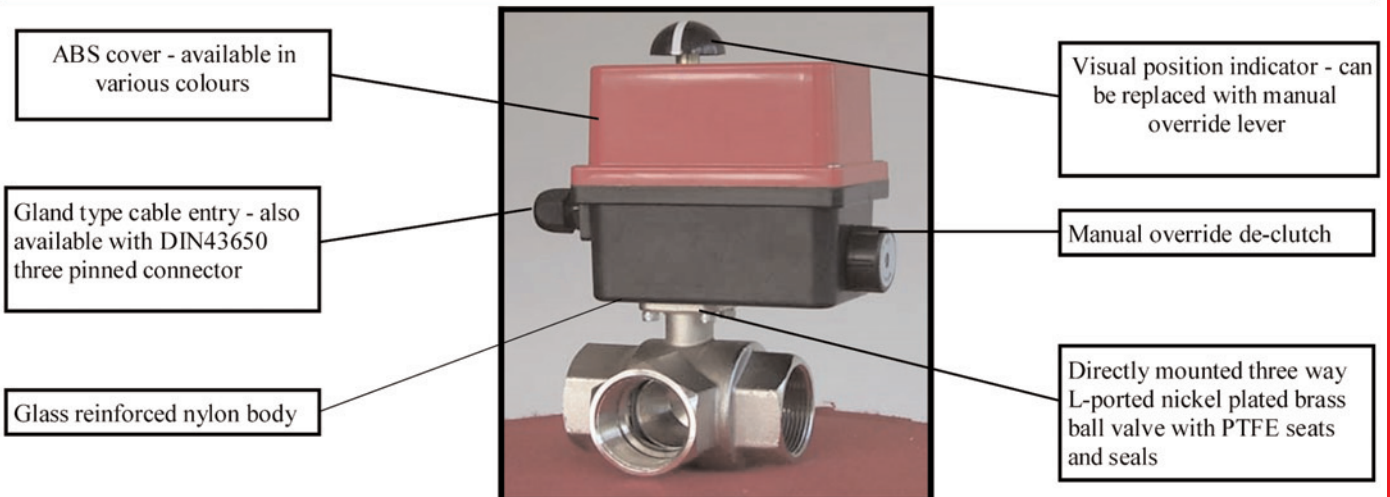


# E153

## ELECTRIC ACTUATOR & THREE WAY L-PORTED NICKEL PLATED BRASS BALL VALVE



PART REFERENCE	E153H003	E153H004	E153H005	E153H006	E153H007	E153H008	E153H009
ACTUATOR TYPE	ER10	ER10	ER10	ER20	ER20	ER35	ER45
Size ØF	3/8"	1/2"	3/4"	1"	1 1/4"	1 1/2"	2"
BORE	10	15	20	25	32	40	50
A	136	136	136	136	136	136	151
B	92	92	92	92	92	92	128
C	124	124	124	124	124	124	152
D	23	23	23	23	23	23	23
E	69	69	77	89	103	114	134
G	31.8	31.8	40.0	48.0	60.0	70.6	86.5
H	177.5	177.5	183.3	187.2	198.5	205.0	212.3
L	33	33	38	46	54	61	73
Operating Time 230-110V 50Hz	25 secs	25 secs	25 secs	20 secs	20 secs	35 secs	20 secs
Operating Time 24V AC/DC	10 secs	10 secs	10 secs	4 secs	4 secs	8 secs	10 secs
Operating Time 12VAC/DC	25 secs	25 secs	25 secs	8 secs	8 secs	16 secs	20 secs



# E153

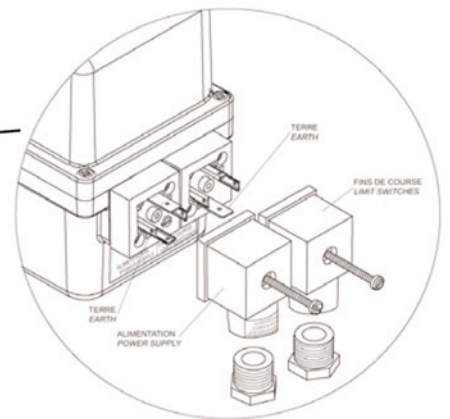
## ELECTRIC ACTUATOR & THREE WAY L-PORTED NICKEL PLATED BRASS BALL VALVE

### Actuator Features

- 90° reversible electric actuator, ABS & nylon casing.
- Working temperature -10°C to +55°C
- Available in 230/110V AC (50% duty) or 24/12V AC/DC (30% duty)
- Enclosure rating: IP65
- Standard equipment: CE marked
- 2 adjustable limit switches with SPDT volt free contacts rated 5A
- Visual position indicator/manual override handle
- Torque limiter

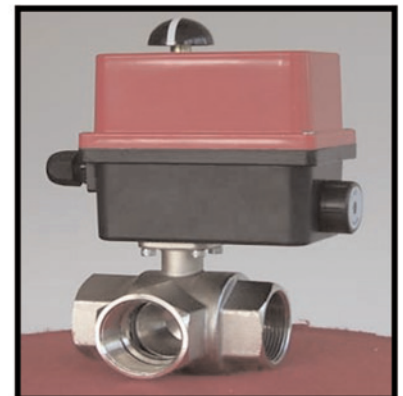
### Options

- Electrical connectors to DIN 43650
- 10W anti condensation heater
- 4-20mA/0-10v positioning system
- Failsafe module
- 3-position system - 180°
- ATEX explosion proof actuator



### Valve Features

- Three way L-ported ball valve for mixing/diverting service
- The valve is suitable for use with non-aggressive media at low pressures
- Working pressure: 16 Bar max
- Working temperature: -20°C to +120°C
- BSP threaded ports



VALVE MATERIALS			
1	Shaft	Brass-nickel plated	UNI 5706-65
2	O-Ring	Viton	
3	Top sealing	PTFE	
4	O-Ring	Viton	
5	Seals	PTFE	
6	Ball	Brass-chromium plated	UNI 5706-65
7	Body	Brass-nickel plated	UNI 5706-65
8	Threaded end	Brass-nickel plated	UNI 5706-65

