


Pressure Relief Valves

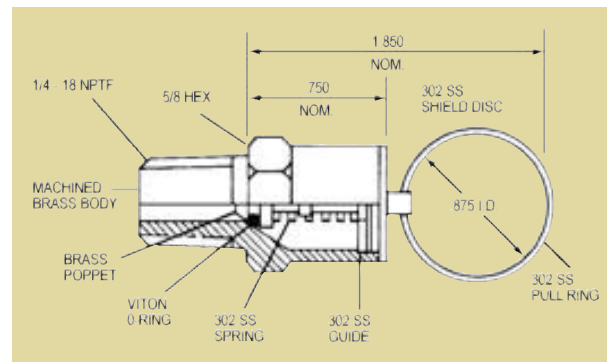
Shield Disc Colour Coded to Indicate Cracking Pressure

Tomco low cost, preset, pressure relief valves are thoroughly engineered and precision manufactured to protect against equipment damage or personnel injury that may result from dangerous pressure build-ups.

- Usable indoors or out
- Automatically vent at your selected pressure level
- Automatically reseal when pressure returns to “normal”
- May be manually opened as a safety precaution before field or shop servicing of the vessel
- Stainless steel shield-disc protects against dirt, insects, and contaminants entering valve
- Seals against vacuum
- Machined solid brass bodied
- 302 stainless steel spring, guides, shield-discs and pull rings
- The precision spring is double heat treated to eliminate temperature/time fatigue
- High strength precision-rolled threads
- Quickly and easily installed

A time-saving money feature of TOMCO relief valves is that their threads are ‘Pretaped’ with teflon tape to assure leak-proof installation. The first 1.1/2” threads are teflon-free to eliminate potential for tape shredding into, and contaminating, the vessel interior.

 **Temperature Ranges:**
 Type 1776:
 0°C to +180°C
 (0°F to +350°F)



Type 1776, Male, 1/4" NPT		
TOMCO	Cracking Pressure (PSIG)*	Flow (SCFM)U
1776K-0-05	5	12
1776K-0-10	10	30
1776K-0-15	15	43
1776K-0-20	20	50
1776K-0-25	25	56
1776K-0-30	30	63
1776K-0-40	40	82
1776K-0-50	50	97
1776K-0-60	60	110
1776K-0-75	75	134

Type 1776, Male, 1/4" NPT		
TOMCO	Cracking Pressure (PSIG)*	Flow (SCFM)U
1776K-S-05	5	3
1776K-S-10	10	10
1776K-S-15	15	12
1776K-S-20	20	14
1776K-S-25	25	21
1776K-S-30	30	36
1776K-S-40	40	52
1776K-S-50	50	69
1776K-S-60	60	85
1776K-S-75	75	110

Part number with the middle letter “O” indicates the valve is supplied with a pull ring and shield disc.
 Part number with the middle letter “S” indicates the valve is supplied without pull ring and shield disc.
 *Cracking Pressure: psig ±10% †Flow (SCFM): Measured at 125% of cracking pressure

FOR CRACKING PRESSURES OTHER THAN THOSE LISTED ABOVE, PLEASE CONTACT FACTORY.



WARNING

FAILURE, IMPROPER SELECTION, OR IMPROPER USE OF THE PRODUCTS AND /OR SYSTEMS DESCRIBED HEREIN, OR RELATED ITEMS, CAN CAUSE DEATH, PERSONAL INJURY AND PROPERTY DAMAGE.

This document and other information from TOMCO, its subsidiaries, and authorized distributors, provide product and/or system options for further investigation by users having technical expertise. It is important that you analyze all aspects of your application and review the information concerning the product or system in the current product catalog. Due to the variety of operating conditions and applications for these products, or systems, the user, through its own analysis and testing, is solely responsible for making the final selection of the products and systems and assuring that all performance, safety and warning requirements of the application are met.

The products described herein, including without limitation, product features, specifications, designs, availability, and pricing, are subject to change by TOMCO and its subsidiaries at any time without notice.

SAFETY GUIDE

1. Quick couplers can fail without warning for a variety of reasons. All systems and equipment should be of a fail-safe design to avoid endangering persons and property.

2. Any person responsible for selecting or using quick couplers should read and understand this safety guide as well as specific information about product selection.

3. TOMCO and its distributors do not represent or warrant that any quick coupler is suitable for any specific end use system. The user, through its own analysis and testing, is solely responsible for making the final selection of the products and systems and assuring that all performance, safety, and warning requirements are met.

FLUID AND TEMPERATURE

Body and seal materials of the coupler must be compatible with the fluid media and ambient temperature both steady and transient. Do not exceed the limits of the coupler.

SIZE

Transmission of power by means of pressurized fluid varies with pressure and flow rate. The size of the coupler must be adequate to keep pressure losses to a minimum and avoid damage due to heat generation or excessive fluid velocity.

ENVIRONMENT

Environmental conditions including, but not limited to, moisture, water, chemicals, ozone, ultraviolet radiation and air pollutants can cause degradation and premature failure.

LOCKING MECHANISM

Couplers can accidentally disconnect when dragged over obstructions on the end of a hose. Where there is a potential for this to occur, sleeve lock design should be considered.

LOADS

Mechanical loads such as: excessive tensile, side loading, or vibration can reduce coupler life or cause failure.

VACUUM

When selecting a coupler for vacuum service, make sure it will withstand the vacuum and pressure of the system. Not all couplers are suitable for vacuum service.

COUPLER INSTALLATION

Couplers should be located so as not to expose the operator to hot or moving parts, potential of falling, slipping, or other hazardous conditions.

HOSE WHIP

A short length of hose between the tool and the coupler half should be used instead of a rigid mount. This reduces the potential for coupler damage and provides some isolation from mechanical vibration which could cause accidental uncoupling.

PRESSURE

When selecting your coupler make sure the published pressure rating is equal to, or greater than, the maximum system pressure. High surge pressure can shorten the life of the coupler.

WARNING

DO NOT GO NEAR FLUID LEAKS



- High pressure leaks of fluids such as oil easily puncture skin and can cause serious injury, gangrene or death.
- If injured, seek emergency medical help. Immediate surgery is required to remove oil.
- Do not use your fingers or skin to check for leaks.
- Lower load or relieve tool pressure before loosening fittings.