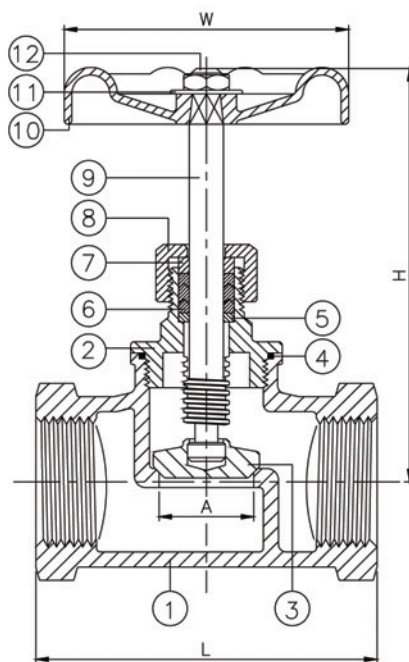




FEATURES

- 1/4"~2" (DN8~DN50)
- W.P. : 200 WOG
- W.T. : -20°C~200°C (-4°F~392°F)
- Investment casting
- Thread type : ASTM B1.20.1 (NPT)
DIN2999 & BS21
ISO228/1 & ISO7/1



ITEM	PARTS	MATERIAL
1	BODY	ASTM A351-CF8M
2	BONNET	
3	DISC	
4	SEAL	PTFE
5	WASHER	AISI 304
6	PACKING	PTFE
7	GLAND RING	AISI 304
8	CAP NUT	AISI 316
9	STEM	
10	HANDLE	ALUMINUM
11	NAMEPLATE	
12	STEM NUT	AISI 304

DN	L	H	W	A	Weight (kg)
8	52	105.5	70	13.6	0.34
10	52	105.5	70	13.6	0.32
15	52	107	70	13.6	0.33
20	66	116	80	17.6	0.47
25	76	129.2	80	22.6	0.66
32	86	153.5	90	29.5	1.01
40	94	157	100	30.5	1.29
50	118	172	100	42.5	1.82

unit:mm

NPS	L	H	W	A	Weight (lb)
1/4"	2.05	4.15	2.76	0.54	0.75
3/8"	2.05	4.15	2.76	0.54	0.71
1/2"	2.05	4.21	2.76	0.54	0.73
3/4"	2.6	4.57	3.15	0.69	1.04
1"	2.99	5.09	3.15	0.89	1.46
1-1/4"	3.39	6.04	3.54	1.16	2.23
1-1/2"	3.7	6.18	3.94	1.2	2.84
2"	4.65	6.77	3.94	1.67	4.01

unit:in