

EXPEL Automatic Float Drain

original^o

Introducing the new

EXPEL Automatic Float Drain

The new EXPEL automatic float drain is designed to discharge liquids and particulates extracted from your compressed air system by the EXPEL range of compressed air filters.

The unit is designed for working pressures up to 16 bar, and is screwed directly to the base of the EXPEL.

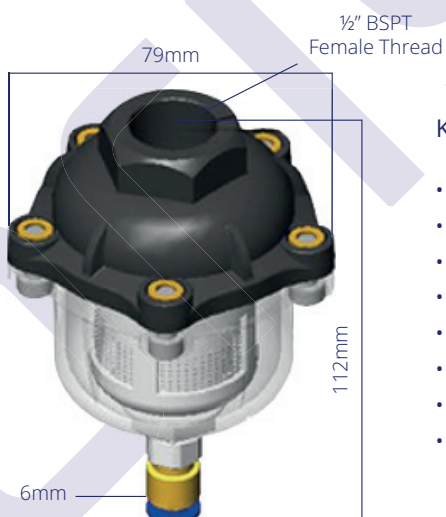
This product is suited towards automotive workshop environments where high levels of condensate are frequently experienced.

A 6mm diameter pipe can be connected to the base of the drain to control the flow of the discharged fluid into a suitable container for disposal.



Part Number: 6100-023-AA

Part Number	Inlet Thread	Outlet	Min Working Pressure	Max. Working Pressure	Mn Working Temp.	Max Working Temp.	Initial Discharge Value	Maximum discharge Capacity
6100-023-AA	½" Female BSPT	6mm Diameter	1.5 Bar	16 Bar	1.5°C	85°C	22ml	84 L/H



Key Features

- No power source required
- Automatic condensate drain
- Clear bowl enables visibility of drain operation
- Unit can be easily dismantled for servicing and cleaning if required
- Operating pressures up to 16 bar
- Is easily attached to your EXPEL units drain port
- ½" BSPT Female Thread Inlet connection
- Manual override for immediate condensate discharge