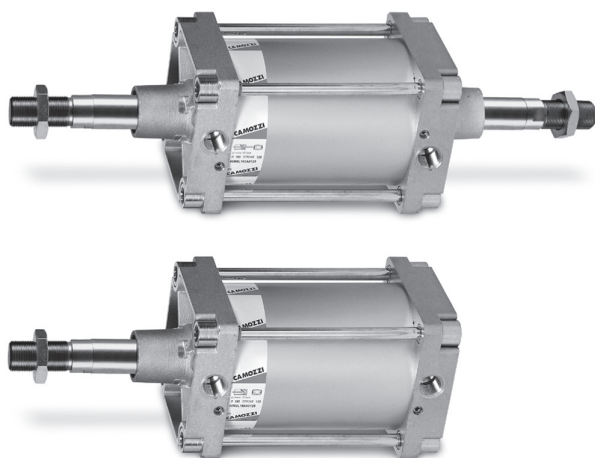


Series 40 cylinders



Double acting, cushioned, magnetic
 Ø 160 - 200 - 250 - 320 mm



- » In compliance with ISO 15552 standards and with the previous DIN/ISO 6431 - VDMA 24562 standards
- » Adjustable pneumatic cushioning
- » Rolled stainless steel rod (Ø 160 - 200 mm)
- » Chrome plated steel rod (Ø 250 - 320 mm)
- » Rod scraper in brass

Series 40 cylinders have been designed in compliance with ISO 15552 standards and with the previous DIN/ISO 6431 - VDMA 24562 standards.

A permanent magnet on the piston of these cylinders is able to send, through proximity switches mounted on the cylinder sliding axis, electrical signals to indicate its position.

This series is normally equipped with end-stroke cushioning which can be adjusted through a screw on the end block.

In order to quieten the impact of the piston on the end block, these cylinders are also equipped with mechanical cushioning.

GENERAL DATA

Type of construction	with tie-rods
Operation	double-acting
Materials	AL end blocks and piston, rolled stainless steel AISI 420B (Ø 160-200 mm) or chrome plated steel (Ø250-320 mm) piston rod, zinc-plated steel piston rod nut, anodized AL tube, zinc-plated steel tie-rods and tie-rod nuts, NBR-PU rod - piston - cushion seals brass rod scraper
Mounting	with tie-rods, front flange, rear flange, feet, centre trunnion, front and rear trunnion, swivel combination
Strokes min - max	10 ÷ 2500 mm
Operating temperature	0°C ÷ 80°C (with dry air -20°C)
Operating pressure	1 ÷ 10 bar
Speed	10 ÷ 500 mm/sec (without load)
Fluid	filtered air, without lubrication. If lubricated air is used, it is recommended to use oil ISOVG32. Once applied the lubrication should never be interrupted.

STANDARD STROKES FOR SERIES 40 CYLINDERS

■ = double-acting

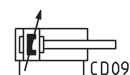
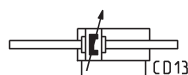
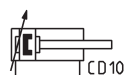
∅	25	50	75	80	100	125	150	160	200	250	300	320	400	500
160		■		■	■		■		■		■		■	■
200		■			■				■		■			
250		■			■				■		■			
320		■			■				■		■			

CODING EXAMPLE

40	M	2	L	160	A	0200	
40	SERIES						
M	VERSION M = standard, magnetic						
2	OPERATION 2 = double-acting, front and rear cushions 3 = double-acting, no cushion 4 = double-acting, rear cushions 5 = double-acting, front cushion 6 = double-acting, through-rod, front and rear cushions					PNEUMATIC SYMBOLS CD09 CD07 CD10 CD11 CD13	
L	MATERIALS L = see the general data on page 1/1.10.01 T = stainless steel AISI 420B tie-rods - stainless steel AISI 303 tie-rod nuts C = rolled stainless steel AISI 303 piston rod, stainless steel AISI 304 piston rod nut U = rolled stainless steel AISI 303 piston rod, stainless steel AISI 304 piston-rod nut, stainless steel AISI 420B tie-rods, stainless steel AISI 303 tie-rod nuts W = rolled stainless steel AISI 304 piston rod, stainless steel AISI 304 piston-rod nut, stainless steel AISI 420B tie-rods, stainless steel AISI 303 tie-rod nuts Note: the rod of cylinders with bore of 250 and 320 mm is in C40 chrome plated steel.						
160	BORE 160 = 160 mm - 200 = 200 mm - 250 = 250 mm - 320 = 320 mm						
A	TYPE OF BRACKET A = standard F = cylinder with centre trunnion						
0200	STROKE (see the table) = standard V = FKM rod seals W = all FKM seals +130°C C = PU coated cylinder. Colour: Grey * G = with brass rod scraper (chrome plated stainless steel AISI 420B rod, NBR rod seal) [∅ 250 and 320 excluded] (_ _ _) = extended piston rod _ _ _ mm Notes: the C version is available on request. For further details, contact our technical dept. The W and C versions are available for diameters 160 and 200 only.						

PNEUMATIC SYMBOLS

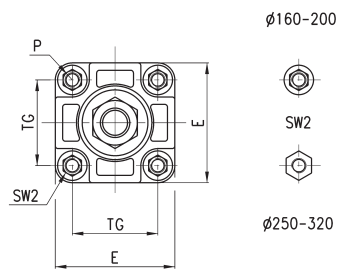
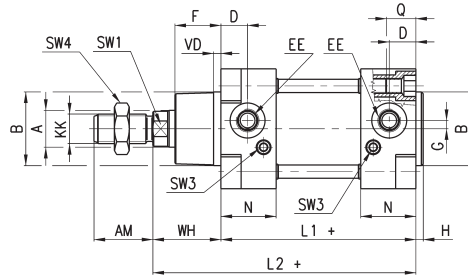
The pneumatic symbols which have been indicated in the CODING EXAMPLE are shown below.



Series 40 cylinders



+ = add the stroke



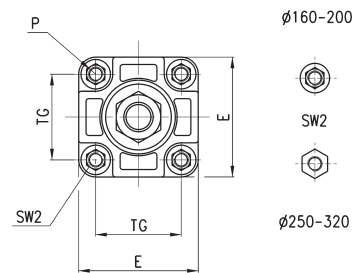
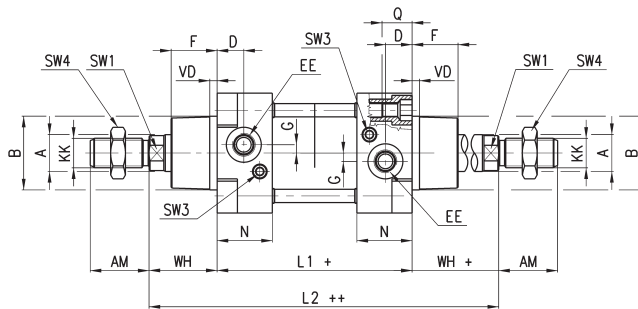
DIMENSIONS

ϕ	ϕA	KK	ϕB	D	G	F	AM	H	EE	WH	L1+	L2+	VD	N	P	Q	TG	E	SW1	SW2	SW3	SW4	front/rear cushion strokes
160	40	M36x2	65	25	12	53.5	72	6	G3/4	80	180	260	6	45	M16	26	140	176	36	17	4	55	29 / 36
200	40	M36x2	75	25	12	63.5	72	6	G3/4	95	180	275	6	45	M16	26	175	216	36	17	4	55	44 / 42
250	50	M42x2	90	31	12	67	84	10	G1	105	200	305	6	60	M20	30	220	270	46	36	4	65	50 / 50
320	63	M48x2	110	31	12	83	96	10	G1	120	220	340	12	55.5	M24	30	270	340	55	41	-	75	56 / 56

Series 40 cylinders - through-rod



+ = add the stroke once
++ = add the stroke twice



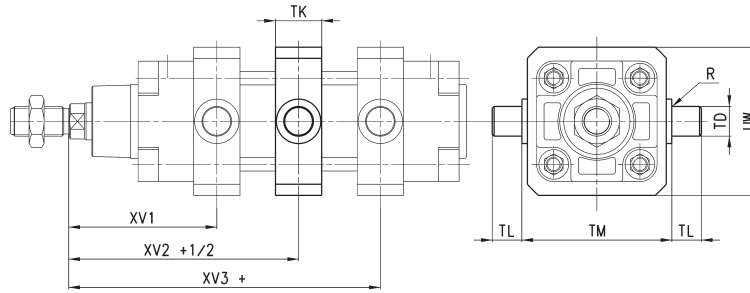
DIMENSIONS

ϕ	ϕA	KK	ϕB	D	G	F	AM	EE	WH	L1+	L2++	VD	N	P	Q	TG	E	SW1	SW2	SW3	SW4	front/rear cushion strokes
160	40	M36x2	65	25	12	53.5	72	G3/4	80	180	340	6	45	M16	26	140	176	36	17	4	55	29 / 36
200	40	M36x2	75	25	12	63.5	72	G3/4	95	180	370	6	45	M16	26	175	216	36	17	4	55	44 / 42
250	50	M42x2	90	31	12	67	84	G1	105	200	410	6	60	M20	30	220	270	46	36	4	65	50 / 50
320	63	M48x2	110	31	12	83	96	G1	120	200	?	12	55.5	M24	30	270	340	55	41	-	75	56 / 56

Series 40 cylinders with centre trunnion Mod. F



+ = add the stroke



DIMENSIONS

Ø	XV1	XV2+ 1/2	XV3+	TM	TK	TD	TL	UW	R	NOTE
160	145	170	195	200	40	32	32	190	2	
200	160	185	210	250	40	32	32	240	2	
250	185	205	225	320	50	40	40	300	-	mounting with 4 threaded tie-rods
320	210,5	230	249,5	400	70	50	50	400	-	mounting with 4 threaded tie-rods