

# Bibcocks

## 132

BALL HOSE BIBCOCK

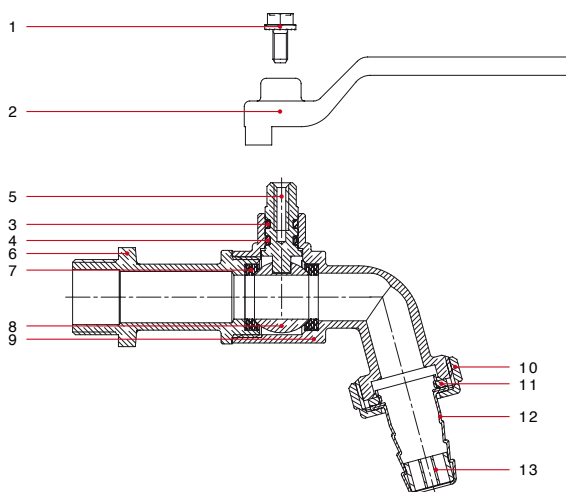


SIZE	PRESSURE	CODE	PACKING
3/8" (DN 10)	15bar/217,5psi	IT132-38	10/120
1/2" (DN 15)	15bar/217,5psi	IT132-12	10/120
3/4" (DN 20)	15bar/217,5psi	IT132-34	6/72
1" (DN 25)	12bar/174psi	IT132-1	6/42

### TECHNICAL SPECIFICATIONS

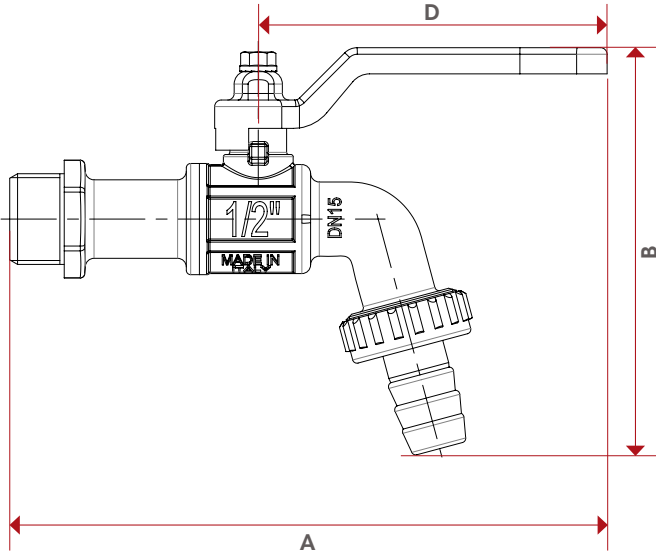
Heavy models.  
 Body in nickel-plated brass.  
 Hose connection in brass.  
 Lever handle in steel.  
 Minimum and maximum working temperatures: -20°C, 80°C.  
 Threads: ISO228  
 (equivalent to DIN EN ISO 228 and BS EN ISO 228).  
**Available sizes: 3/8"x3/4", 1/2"x3/4", 3/4"x1", 1"x1"1/4**

### MATERIALS



POS.	DESCRIPTION	N.	MATERIAL
1	Screw	1	Zinc-plated steel Fe CB4
2	Lever handle	1	Zinc-plated and varnished steel Fe.P04
3	O-Ring	1	VITON®
4	O-Ring	1	NBR
5	Stem	1	Brass CW614N
6	End adapter	1	Nickel-plated brass CW617N
7	Seal	2	PT.FE.
8	Ball	1	Chrome-plated brass CW614N
9	Body	1	Nickel-plated brass CW617N
10	Nut	1	Nickel-plated brass
11	Washer	1	Elastomer
12	Hose connection	1	Nickel-plated brass
13	Hose end	1	Polymer

OVERALL DIMENSIONS



	3/8"	1/2"	3/4"	1"
DN	10	15	20	25
A	135	137	148,5	158
B	93	93	108,5	126
D	80	80	88,5	88,5
Kg/cm <sup>2</sup> bar	15	15	15	12
LBS - psi	217,5	217,5	217,5	174

CERTIFICATIONS

