

Full Flow Gas Ball Valves London®

068

LONDON®
BALL VALVE,
FULL FLOW



SIZE	PRESSURE	CODE	PACKING
1/4" (DN 8)	5bar/72,5psi	BV68-14	15/165
3/8" (DN 10)	5bar/72,5psi	BV68-38	15/165
1/2" (DN 15)	5bar/72,5psi	BV68-12	10/110
3/4" (DN 20)	5bar/72,5psi	BV68-34	8/64
1" (DN 25)	5bar/72,5psi	BV68-1	6/48

TECHNICAL SPECIFICATIONS

EN 331 APPROVED.

Female/female threads.

Body in nickel-plated brass.

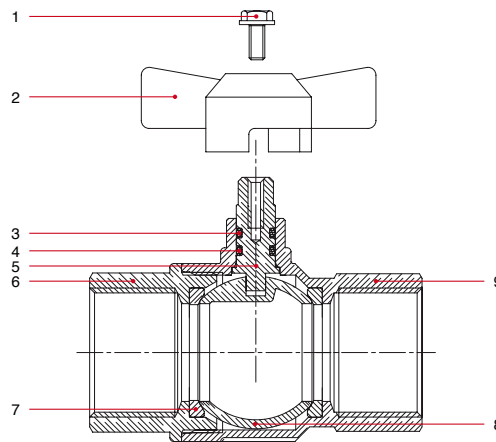
T handle in aluminium.

Minimum and maximum working temperatures: -20°C to +60°C.

Female thread ISO 7/1 Rp parallel

(equivalent to DIN EN 10226-1 and BS EN 10226-1).

MATERIALS



POS.	DESCRIPTION	N.	MATERIAL
1	Screw	1	Zinc-plated steel Fe CB4
2	T handle	1	Varnished aluminium
3	O-Ring	1	VITON®
4	O-Ring	1	NBR
5	Stem	1	Brass CW614N
6	End adapter	1	Nickel-plated brass CW617N
7	Seat	2	PT.FE.
8	Ball	1	Chrome-plated brass CW617N
9	Body	1	Nickel-plated brass CW617N

