

Full Flow Gas Ball Valves London®

067

LONDON®
BALL VALVE,
FULL FLOW

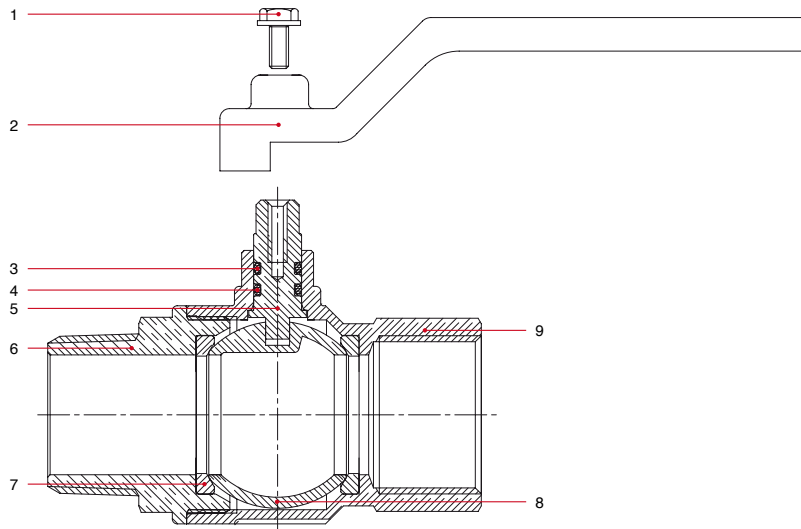


SIZE	PRESSURE	CODE	PACKING
1/4" (DN 8)	5bar/72.5psi	BV67-14	12/192
3/8" (DN 10)	5bar/72.5psi	BV67-38	12/132
1/2" (DN 15)	5bar/72.5psi	BV67-12	10/100
3/4" (DN 20)	5bar/72.5psi	BV67-34	8/64
1" (DN 25)	5bar/72.5psi	BV67-1	6/48
1 1/4" (DN 32)	5bar/72.5psi	BV67-114	4/24
1 1/2" (DN 40)	5bar/72.5psi	BV67-112	2/16
2" (DN 50)	5bar/72.5psi	BV67-2	2/14

TECHNICAL
SPECIFICATIONS

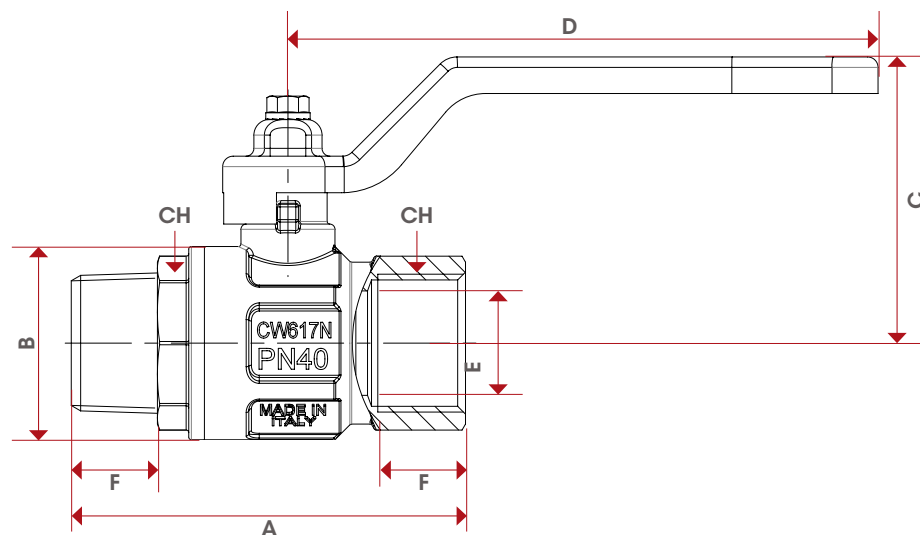
EN 331 APPROVED.
 Male/female threads.
 Body in nickel-plated brass.
 Lever handle in steel.
 Minimum and maximum working temperatures: -20°C to +60°C.
 Female thread ISO 7/1 Rp parallel
 (equivalent to DIN EN 10226-1 and BS EN 10226-1).
 Male thread ISO 7/1 R taper
 (equivalent to DIN EN 10226-1 and BS EN 10226-1).

MATERIALS



POS.	DESCRIPTION	N.	MATERIAL
1	Screw	1	Zinc-plated steel Fe CB4
2	Lever handle	1	Zinc-plated and varnished steel Fe.P04
3	O-Ring	1	VITON®
4	O-Ring	1	NBR
5	Stem	1	Brass CW614N
6	End adapter	1	Nickel-plated brass CW617N
7	Seat	2	PT.FE.
8	Ball	1	Chrome-plated brass CW617N
9	Body	1	Nickel-plated brass CW617N

OVERALL DIMENSIONS



	1/4"	3/8"	1/2"	3/4"	1"	1 1/4"	1 1/2"	2"
DN	8	10	15	20	25	32	40	50
A	56,9	58,9	68	75,5	90,5	105	115,5	135,5
B	23,5	24	30,5	37	45,5	58	71	85
C	37,3	37,3	48,8	54,8	56,8	75	90,3	97,3
D	80	80	88,5	113	113	138	157,8	157,8
E	8	10	15	20	25	32	39	50
F	11	11,4	15	16,3	19,1	21,4	21,4	25,7
CH	18	21	25	31	38	47	54	66
Kg/cm ² bar	5	5	5	5	5	5	5	5
LBS - psi	72,5	72,5	72,5	72,5	72,5	72,5	72,5	72,5

CERTIFICATIONS

