

# Lockable Handle

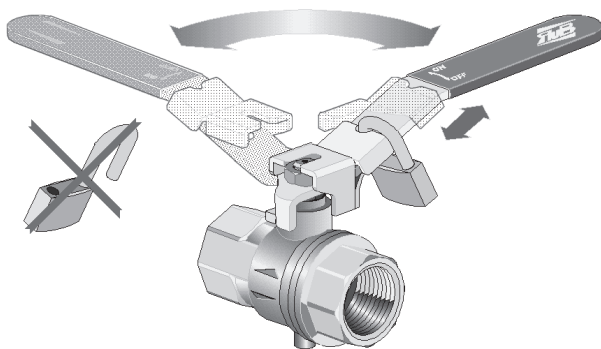
## For most RuB ball valves in sizes 1/4"-4"



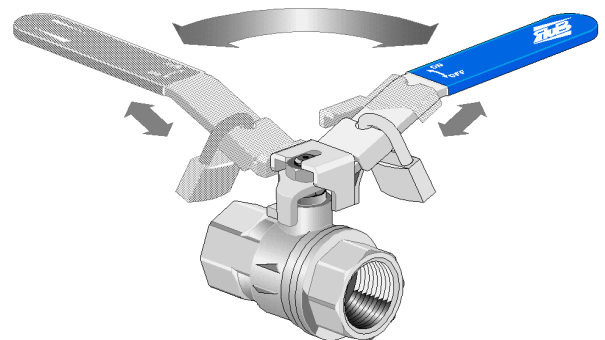
*In Sizes 1/4"-*

**PATENTED**

The **RuB** lockable handle is made of strong Geomet® carbon steel and designed to discourage tampering. The **RuB** locking device covers the top nut of the valve making removal impossible without a key. Easy to install on valves in the field, the **RuB** lockable handle will lock s.93 **RuB** valve the closed position only in compliance with OSHA (USA) safety requirements, while other **RuB** valves can be locked in both the open and closed positions.



Lockable only in closed position when assembled on s.93 1/4"-2" **RuB** range



Lockable in both open and closed positions when assemble on any other 1/4"- 4" **RUB** range