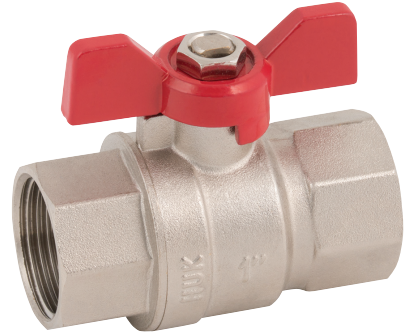


# Nickel Plated Full Bore F x F Wing BV12W

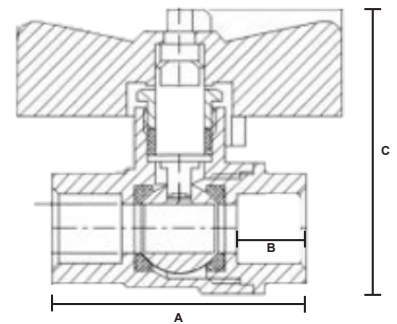
## Features

Nickel-plated brass body

- Wing handle operated
- BSPP Female x Female threads
- Lever handle in steel with plastic sleeve
- PTFE seats
- NBR O-rings
- Working Temperature: 0°C to +90°C
- Maximum Working Pressure: 40 bar



| Name         | Material            |
|--------------|---------------------|
| Body         | Nickel Plated Brass |
| End Cap      | Nickel Plated Brass |
| Ball         | Chrome Plated Ball  |
| Ball Seal    | PTFE                |
| Stem         | Brass               |
| Stem Packing | PTFE                |
| Gland Nut    | Brass               |
| Lever        | Plated Steel        |
| Nut          | Plated Steel        |



| Part No. | Size | DN | A  | B    | C    | Weight (KG) |
|----------|------|----|----|------|------|-------------|
| BV12-14W | 1/4" | 8  | 49 | 11.5 | 41.5 | 0.15        |
| BV12-38W | 3/8" | 10 | 49 | 11.5 | 41.5 | 0.134       |
| BV12-12W | 1/2" | 15 | 60 | 15   | 47   | 0.202       |
| BV12-34W | 3/4" | 20 | 70 | 18   | 50   | 0.29        |
| BV12-1W  | 1"   | 25 | 81 | 20   | 60.5 | 0.491       |