

# 9mm L-band Worm-drive Hose Clip

**MIKALOR**

Thanks to the exclusive design of the housing, the ASFA-L W5 hose clip has excellent performance while being at the same time very compact. The cold-formed stamped band thread, smoothed on the underside, combined with bevelled band-edges protects the hose from damage.

The ASFA-L W5 hose clip complies fully with the DIN 3017 norm and also with the RoHs directive EU 20032/95/EC dated 1st July 2006.

This clip is ideally for use in the petrochemical, foodstuffs and marine industry due to the outstanding corrosion resistance offered by the use of AISI-316 stainless steel in its manufacture

# ASFA 'L' W5 Worm-Drive Clip (9mm bandwidth)

## Asfa-L W5 Hose Clip (9 mm bandwidth)

<b>Information</b>	<b>Ø Application mm</b>	<b>Reference W5</b>	<b>L max.</b>	<b>s ± 0,05</b>	<b>h max.</b>	<b>a ± 0,3 0,2</b>	<b>b max.</b>	<b>Max. Values* Torque (Nm)</b>	<b>Max. Values* Pressure (Bars)</b>	<b>Box Quantity</b>	<b>Packing</b>
Thanks to the exclusive design of the housing, the ASFA-L W5 hose clip has excellent performance while being at the same time very compact. The cold-formed stamped band thread, smoothed on the underside, combined with beveled band-edges protects the hose from damage. The ASFA-L W5 hose clip complies fully with the DIN 3017 norm and also with the RoHs directive EU 20032/95/EC dated 1st July 2006. This clip is ideally for use in the petrochemical, foodstuffs and marine industry due to the outstanding corrosion resistance offered by the use of AISI-316 stainless steel in its manufacture	8-16	03015759	22,1	0,6	10	9	14	3,0	45	200	800
	12-22	03015767	22,1	0,6	10	9	14	3,0	45	200	800
	16-27	03015775	23,6	0,7	10	9	14	3,5	42	200	800
	20-32	03015783	23,6	0,7	10	9	14	3,5	36	200	800
	25-40	03015804	25,6	0,7	10	9	14	4,0	32	100	800
	30-45	03015812	25,6	0,7	10	9	14	4,0	28	100	800
	32-50	03015820	25,6	0,7	10	9	14	4,0	24	100	800
	40-60	03015839	25,6	0,7	10	9	14	4,0	19	100	400
	50-70	03015847	29,6	0,7	10	9	14	4,0	17	100	100
	60-80	03015855	29,6	0,7	10	9	14	4,0	15	100	100
	70-90	03015863	29,6	0,7	10	9	14	4,0	13	50	400
	80-100	03015871	29,6	0,7	10	9	14	4,0	11	50	400
	90-110	03015880	29,6	0,7	10	9	14	4,0	10	25	200
	100-120	03015898	29,6	0,7	10	9	14	4,0	9	25	200
	110-130	03015900	29,6	0,7	10	9	14	4,0	8	25	25
	120-140	03015919	29,6	0,7	10	9	14	4,0	7	25	25
130-150	03015927	29,6	0,7	10	9	14	4,0	6	25	25	
140-160	03015935	29,6	0,7	10	9	14	4,0	5	25	25	

\*The maximum application pressure can vary depending on the type of hose used and the geometry of the coupling.

Patented Worldwide

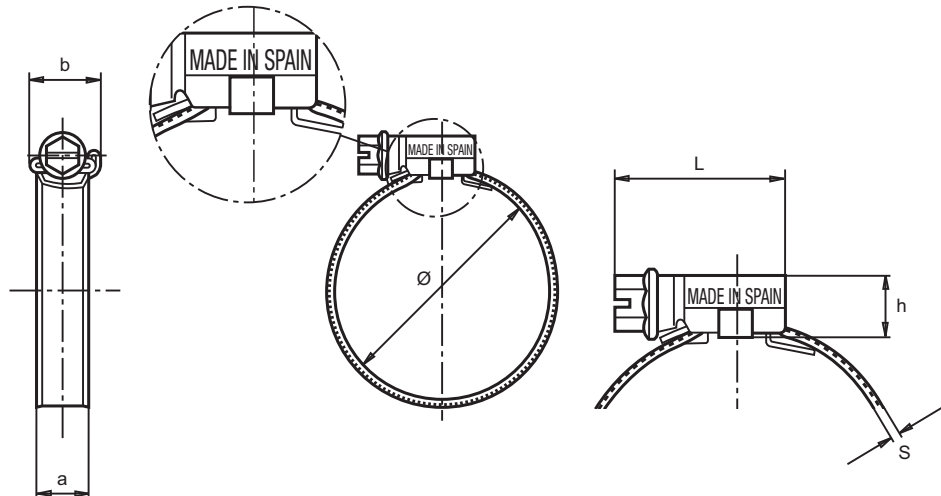
### W5 Materials

#### Screw:

AISI-316 Cu  
Stainless steel (A4)

#### Band and Housing:

X5CrNiMo 17.12.2  
Stainless steel  
(DIN 1.4401)  
(AISI-316) (A4)



\* The maximum application pressure can vary depending on the type of hose used and the geometry of the coupling. Patented Worldwide.