


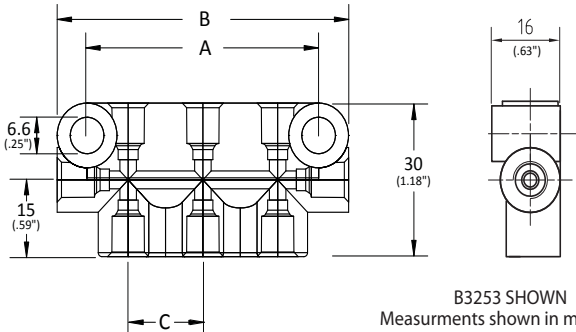


# Junction Bars



	BDI PART #	TYPE	DIMENSIONS					
			OUTLETS	INLET	OUTLETS	A	B	C
<b>Junctions Bars</b>	B3109	6 WAY	4	5/16-24 (2)	5/16-24 (4)	36mm	48mm	16mm
	B3254	10 WAY	8	5/16-24 (2)	5/16-24 (8)	66mm	78mm	16mm

 <p>5/16-24</p> <p>Alum Zinc Die Cast</p> <p>Double sided</p> <p>2 Mounting Holes</p> <p>FJB, FJC, CJB, CJC</p> <p>QJB, ZJBE</p>	<b>DRAWINGS</b>	
		
	<p>B3253 SHOWN</p> <p>Measurments shown in mm (inches)</p>	