

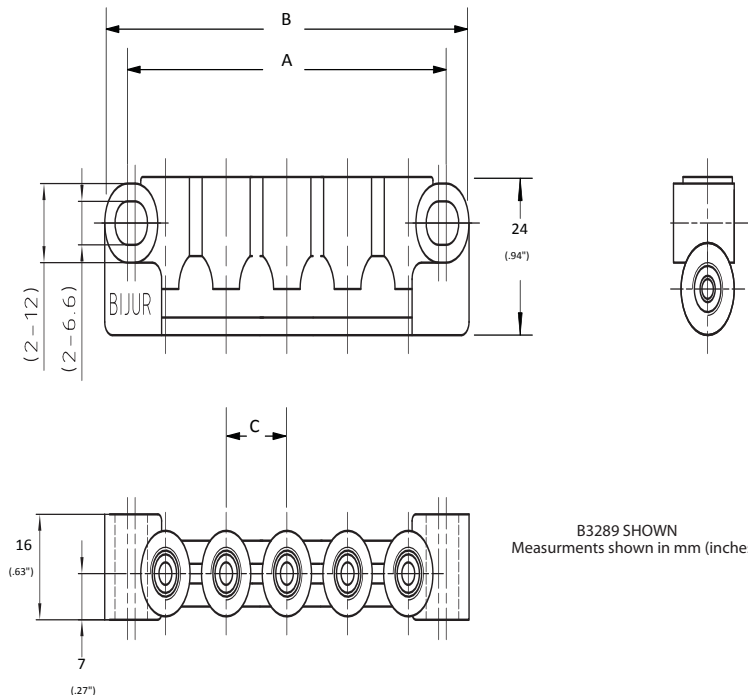


Junction Bars



	BDI PART #	TYPE	OUTLETS	DIMENSIONS				
				INLET	OUTLETS	A	B	C
 <p>5/16-24 Alum Zinc Die Cast Single sided 2 Mounting Holes FJB, FJC, CJB, CJC QJB, ZJBE</p>	B3262	4 WAY	2	5/16-24 (2)	5/16-24 (2)	36mm	48mm	16mm
	B3263	5 WAY	3	5/16-24 (2)	5/16-24 (3)	52mm	64mm	16mm
	B3264	6 WAY	4	5/16-24 (2)	5/16-24 (4)	68mm	80mm	16mm
	B3289	7 WAY	5	5/16-24 (2)	5/16-24 (5)	84mm	96mm	16mm
	B3265	8 WAY	6	5/16-24 (2)	5/16-24 (6)	100mm	112mm	16mm
	B4508	9 WAY	7	5/16-24 (2)	5/16-24 (7)	116mm	128mm	16mm
	B3704	10 WAY	8	5/16-24 (2)	5/16-24 (8)	132mm	144mm	16mm
B3471	12 WAY	10	5/16-24 (2)	5/16-24 (10)	164mm	176mm	16mm	

DRAWINGS



B3289 SHOWN
Measurements shown in mm (inches)