

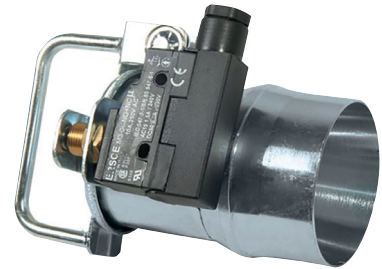
KLVA/KLVM

Leaf Valves

The KLVA valve is electro-zinc plated and equipped with a self-closing spring-mounted lid. The valve is to be mounted on the pipe and is fitted for flexible hoses, connected by a hose connector HOCO.

The KLVM is identical to the KLVA model with an electrical contact which starts up the aspiration system, by the opening of the cap.

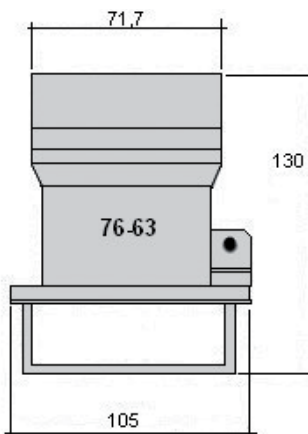
KLVS and KLSM are the stainless steel AISI 304 options for the valves above.



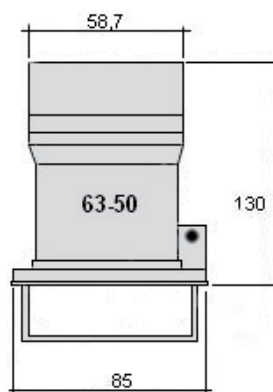
Technical data microswitch KLVM/KLSM

Thermal current	10 Ampere
Voltage	250 V
Housing	IP64
Temperature range	-25°C-+85°C

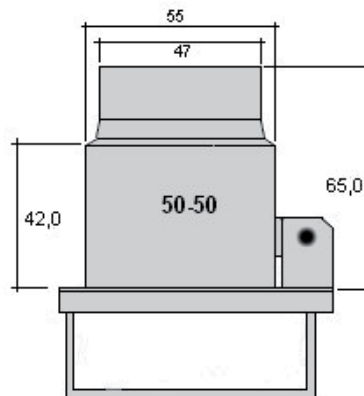
Ø76-63



Ø63-50



Ø50-50



Ø76-76

