

Electrical Pump Multiport



DESCRIPTION

The multiport electrical grease pump is designed to feed progressive lubrication systems. It can be supplied with 1, 2 or 3 discharge elements with fixed or adjustable outputs. Different voltages are available: continuous, single phase or three phase. The reservoirs are metal or plastic with or without low level switch.

OPERATION

The multiport pump is equipped with an eccentric gear reducer which operates with one or more discharge element pushing lubricant into lubrication lines.

CHARACTERISTICS

Discharge pressure : 250 bar.
 Reservoir capacities :..... 2 or 4 Kgs (plastic)
 8 Kgs (metal)
 Discharge : $G \frac{1}{4}$ (0.16 cc per revolution)
 6.4 cc/min for DC voltage
 4.3 cc/min for AC voltages
 adjustable safety valve (0 to 250 bar).
 Voltage: 12 ou 24 V DC 110
 Monophase 110 ou 220 V AC, 50 ou 60 Hz
 Triphase 220/380 V AC, 50/60 Hz
 Electric low level switch : 240 V AC, 1.5 A, IP67
 Lubricant to be used: grease NLGI 2 max
 Oil (contact Bijur)

Working temperature: -18°C to +50°C
 Installation: on vertical position



Control :

The pumps can be supplied with an electrical low level switch. Each discharge element is equipped With a safety valve which prevents over pressure in the system.

HOW TO ORDER

Define the correct reference using the code below :

Example :

Multiport 1, fixed outlet with a 4 kg reservoir equipped with low level switch, electric motor : 220/280 VAC

With an extra outlet:

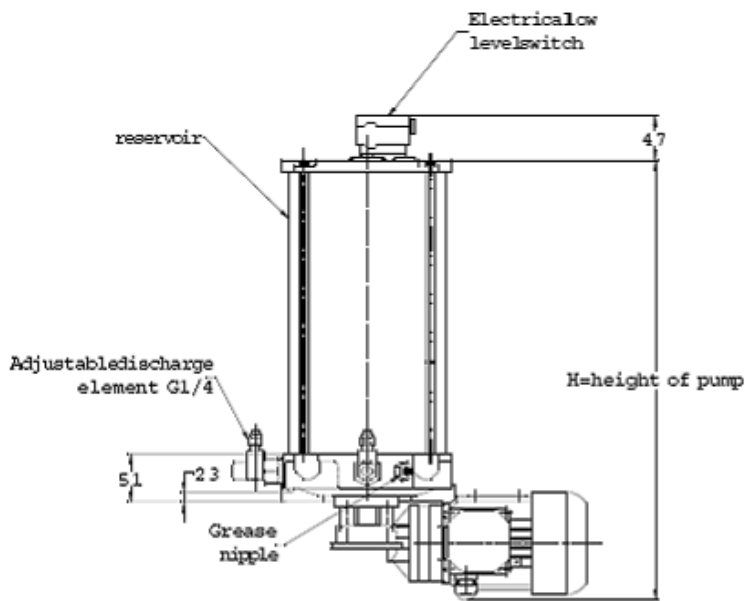
1 x MULTI 4 BE + 1 x 282784

<u>Pump code</u>	MULTI	<input type="text"/>	<input type="text"/>	<input type="text"/>
<u>Reservoir capacity</u>				
<input type="text" value="2"/>	2 Kg (Plastic)			
<input type="text" value="4"/>	4 Kg (Plastic)			
<input type="text" value="8"/>	8 kg (Métal)			
<u>Low level switch</u>				
<input type="text" value="A"/>	Without low level switch (2 Kg only)			
<input type="text" value="B"/>	With low level switch			
<u>Voltage</u>				
<input type="text" value="A"/>	12 VCC : 4Amp			
<input type="text" value="B"/>	24 VCC : 2Amp			
<input type="text" value="C"/>	110 VAC : 0,6 Kw, 50/60 Hz			
<input type="text" value="D"/>	220 VAC : 0,6 Kw, 50/60 Hz			
<input type="text" value="E"/>	220/380 VAC : 0,09 Kw, 50/60 Hz			
<input type="text" value="F"/>	Other voltage (contact Bijur).			

Nota:

Multiport pump can be equipped with adjustable pumping element (0 to 0,16 per revolution) which must be ordered separately. (Part number AK442).

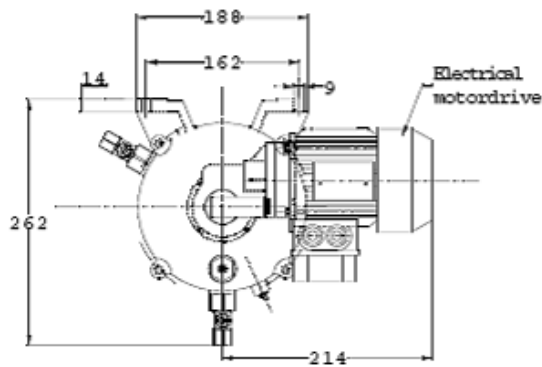
SINGLE PHASE AND 3 PHASE MULTIPORT PUMP



Option:
 Electrical high level switch
 Ref: AC462.

Spare parts:
 Fixed discharge pumping element,
 Ref. 282784.

Ajustable discharge pumping element,
 Ref. AK442.



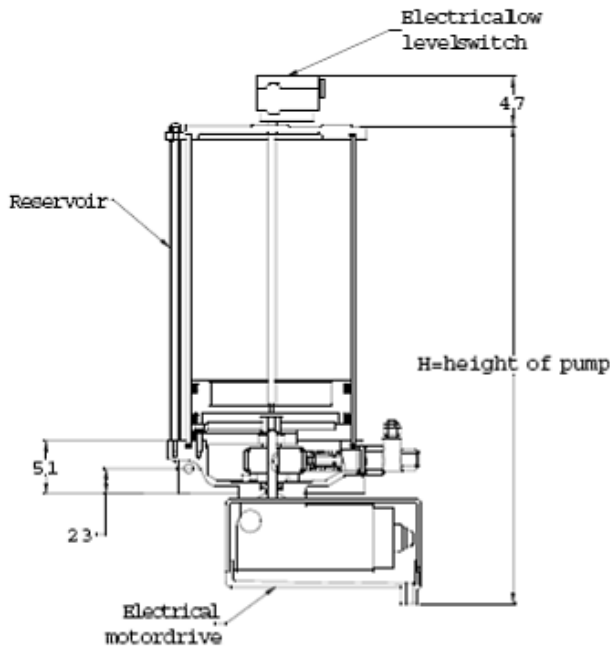
Ref: MULTI4BE with a discharge element 282784

Pump height:
 - Reservoir 2 Kg H = 333 mm
 - Reservoir 4 Kg H = 406 mm
 - Reservoir 8 Kg H = 640 mm

Start up and service:

Fill the reservoir with a manual or a pneumatic grease gun by using the grease nipple which is located at the bottom of the reservoir. After having primed the pump, check the system has been pressurised. If it has not, check the direction of rotation of the motor. Check and control periodically the grease level and the safety valve.

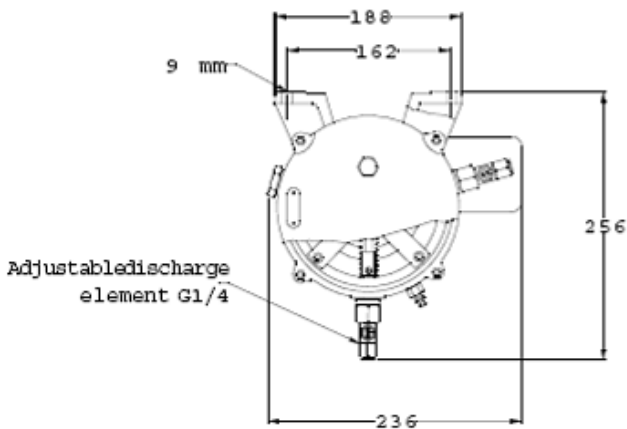
12 AND 24 V DC MULTIPORT PUMP



Option:
Electrical high level switch
Ref. AC462.

Spare parts:
Fixed discharge pumping element,
Ref. 282784.

Adjustable discharge pumping
element,
Ref. AK442.



Ref: MULTI4BA with a discharge element 282784

Pump height:
- Reservoir 2 Kg H = 350 mm
- Reservoir 4 Kg H = 406 mm

Start up and service:

Fill the reservoir with a manual or a pneumatic grease gun by using the grease nipple which is located at the bottom of the reservoir. After having primed the pump, check the system has been pressurised. If it has not, check the direction of rotation of the motor. Check and control periodically the grease level and the safety valve.

MAINTENANCE KIT FOR MULTIPORT 2 KG

RESERVOIR MAINTENANCE KIT: PUMP TYPE MULTIPORT 2 KG WITHOUT LLS		
Reference	Description	Quantity
A0326	Reservoir 2 Kg	1
	Cover	1
	Reservoir screw	5
	Reservoir seal	1
	O ring	1

RESERVOIR AND PUMP MAINTENANCE KIT:PUMP TYPE MULTIPORT 2 KG WITHOUT LLS		
Reference	Description	Quantity
A0327	Reservoir maintenance kit	1
	Copper seal pump element	1
	Seal motor shaft	1

RESERVOIR MAINTENANCE KIT: PUMP TYPE MULTIPORT 2 KG WITH LLS		
Reference	Description	Quantity
A0328	Reservoir 2 kg	1
	Reservoir screw	4
	Washer	4
	Reservoir seal	1
	Follower plate o ring	2
	Low level switch	1

RESERVOIR AND PUMP MAINTENANCE KIT:PUMP TYPE MULTIPORT 2 KG WITH LLS		
Reference	Description	Quantity
A0329	Reservoir maintenance kit	1
	Copper seal pump element	1
	Seal motor shaft	1

MAINTENANCE KIT FOR MULTIPOINT 4 KG

RESERVOIR MAINTENANCE KIT: PUMP TYPE MULTIPOINT 4 KG WITH LLS		
Reference	Description	Quantity
A0324	Reservoir 4 Kg	1
	Reservoir screw	4
	Washer	4
	Reservoir seal	1
	Follower plate o ring	2

RESERVOIR AND PUMP MAINTENANCE KIT:PUMP TYPE MULTIPOINT 4 KG WITHOUT LLS		
Reference	Description	Quantity
A0325	Reservoir maintenance kit	1
	Copper seal pump element	1
	Seal motor shaft	1

RESERVOIR MAINTENANCE KIT: PUMP TYPE MULTIPOINT 4 KG WITH LLS		
Reference	Description	Quantity
A0330	Reservoir maintenance kit	1
	Copper seal pump element	1
	Seal motor shaft	1
	Low level switch and cover	1

MAINTENANCE KIT FOR MULTIPOINT 8 KG

RESERVOIR MAINTENANCE KIT: PUMP TYPE MULTIPOINT 8 KG		
Reference	Description	Quantity
A0331	Reservoir 8 Kg	1
	Reservoir screw	4
	Washer	4
	Reservoir seal	1
	Follower plate o ring	2

RESERVOIR AND PUMP MAINTENANCE KIT:PUMP TYPE MULTIPOINT 8 KG WITHOUT LLS		
Reference	Description	Quantity
A0332	Reservoir maintenance kit	1
	Copper seal pump element	1
	Seal motor shaft	1

RESERVOIR MAINTENANCE KIT: PUMP TYPE MULTIPOINT 8 KG WITH LLS		
Reference	Description	Quantity
A0333	Reservoir maintenance kit	1
	Copper seal pump element	1
	Seal motor shaft	1
	Low level switch	1