

L2P Lubricator

Manual, One Shot



Operation

The L2P Lubricator is of the spring discharge type. It is operated by pulling the knob which raises a piston and compresses a spring. Releasing the knob automatically discharges oil into the system. Oil viscosity does not affect discharge volume, but may affect system pressure.

Technical Data

Reservoir Capacity	200cc
Viscosity range	100 to 10,000 SSU at operating temperature
Lubricator Inlet Filter	40 micron particle separation
Discharge Pressure	30 psi average
Discharge Volume Per Stroke	1 or 2cc, factory set as specified on customer's order



Notes Regarding Use

1. The lubricator inlet filter should be inspected periodically and cleaned/replaced as required.
2. Discharge pressure will decrease as discharge volume decreases and the number of meter units in the system increases.

System & Limitation

Use Type F meter units. Do not exceed 60 meter units. To calculate system flow (\emptyset), refer to *Bijur Engineering Manual*.

Maximum Permissible Total System Flow (\emptyset)

Meter Units (#)	CC Per Shot	
	1	2
5	240	450
10	170	320
15	140	250
20	115	210
25	100	180
30	85	150
40	60	120
50	57	90
60	---	60

Startup Instructions

1. Fill reservoir with oil.
2. Start machine and see that oil flows freely at all bearings.



Maintenance

Filter Replacement

A filter at pump inlet protects the lubricating system and should be replaced periodically. To remove filter, pry filter cup at bottom of cylinder loose in several places with a screwdriver. Remove screens and filter disc. Insert new filter disc in cup, then screens, so that coarse screen is next to pump body when installed. Re-install assembly, making sure that it is tight and that the top of the cup is about 1/16" from the shoulder on pump body.

ATTENTION

Use clean oil only of the type and viscosity recommended by machine manufacturer.

ATTENTION

Replace filter group annually.

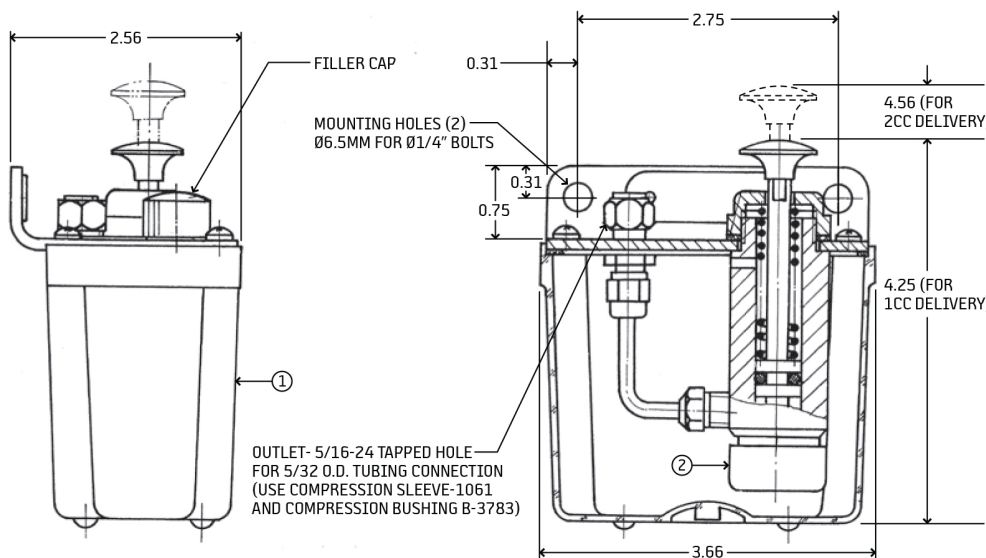
How to Order

Name	Discharge	Part #
L2P Lubricator	2cc/shot	C2988C
	1cc/shot	C2988C-1

When ordering, specify by name, discharge and part number, e.g. L2P Lubricator, 2cc/shot discharge, Part #C2988C.

Service Parts and Dimensional Schematics

Item	Description	Part #
1	Reservoir kit (200cc)	D3256C-KIT
	Reservoir	---
	Gasket	---
	Mounting screws (4)	---
2	Filter group	S178



Measurements shown in inches.

Illustrations are not binding in detail. Designs are subject to modification and improvement without notice.