



## Product description Pump ZP6000

### APPLICATION

The pumps ZP6000 are used for direct lubrication in multi-line systems (one delivery element per lubricating point) or as delivery pump for lubricant in progressive systems.

### PRODUCT CHARACTERISTICS

- Multi-line pump
- up to 32 lubrication points
- Maintenance-free
- Pressure range up to 160 bar
- Lubricant: oil, grease, liquid grease
- Surface signal grey RAL 7004



Pump ZP6000

### FUNCTION

Drive of pump ZP6000 is effected by means of electromotor with step-down gearing flanged onto the housing and linked with the worm shaft via Woodruff key in form-fit connection.

Each feed-line connection is equipped with a delivery piston and a control piston. A rotary motion is imparted on the pump shaft with cam disk via drive, vertical shaft and bevelgear pair the delivery piston getting a stroke motion. The control gear is to actuate the control piston. Due to the stroke motion of delivery pistons, lubricant intake is effected through the control ducts of control pistons and delivered into the pressure bore. The scraper plate is delivering the lubricant to the suction bores. The stirrer blade pressing the lubricant through the sieve plate into the suction compartment is arranged in the lubricant reservoir.

The pump ZP6000 can be supplied with 1 or 2 pumping units installed opposite to each other with a maximum of 16 feed-line connections. The rate of delivery can be set infinitely from 0 ... 0,2 cm<sup>3</sup>/stroke. Upon dispatch of pumps, the rate of delivery has been set to maximum value.

Feed-line connections not required shall be out to "zero rate of delivery" and should not be closed.



| <b>A. PUMP TYPE ZP6000</b> | <b>Code</b> |
|----------------------------|-------------|
|                            | ZP6         |

| <b>B. NUMBER OF OUTLETS</b> | <b>Code</b> |
|-----------------------------|-------------|
| 6 outlets                   | 06          |
| 16 outlets                  | 16          |
| 32 (16 + 16) outlets        | 32          |

| <b>C. REVISION</b> | <b>Code</b> |
|--------------------|-------------|
| Status B           | B           |

| <b>D. KINDS OF DRIVE</b>  | <b>Code</b> |
|---|-------------|
| Step-down gear, ratio 150:1, three-phase A.C. motor 230/400V; 50Hz, M                   | 01          |
| Step-down gear, ratio 225:1, three-phase A.C. motor 230/400V; 50Hz, VM, on a base plate | 02          |
| Step-down gear, ratio 225:1, three-phase A.C. motor 290/500V; 50Hz, VM, on a base plate | 04          |
| Step-down gear, ratio 450:1, three-phase A.C. motor 230/400V; 50Hz, VM, on a base plate | 03          |
| Step-down gear, ratio 450:1, three-phase A.C. motor 290/500V; 50Hz, VM, on a base plate | 05          |

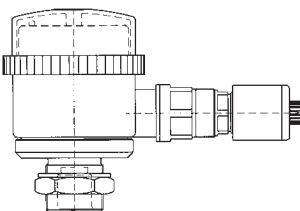
| <b>E. POSITION OF DRIVE</b>                       | <b>Code</b> |
|---|-------------|
| on the right                                      | R           |
| on the left (only for gear ratio 225:1 and 450:1) | L           |

| <b>F. RESERVOIR</b>                                | <b>Code</b> |
|--|-------------|
| 10 liters metal, with hinge, closure and removable | A           |
| 20 liters metal, with hinge, closure and removable | B           |
| 30 liters metal, with hinge, closure and removable | C           |
| 60 liters metal, with hinge, closure and removable | D           |

| <b>G. ACCESSORIES</b>   | <b>Code</b> |
|-------------------------|-------------|
| without                 | 00          |
| Ultrasonic level switch | 01          |

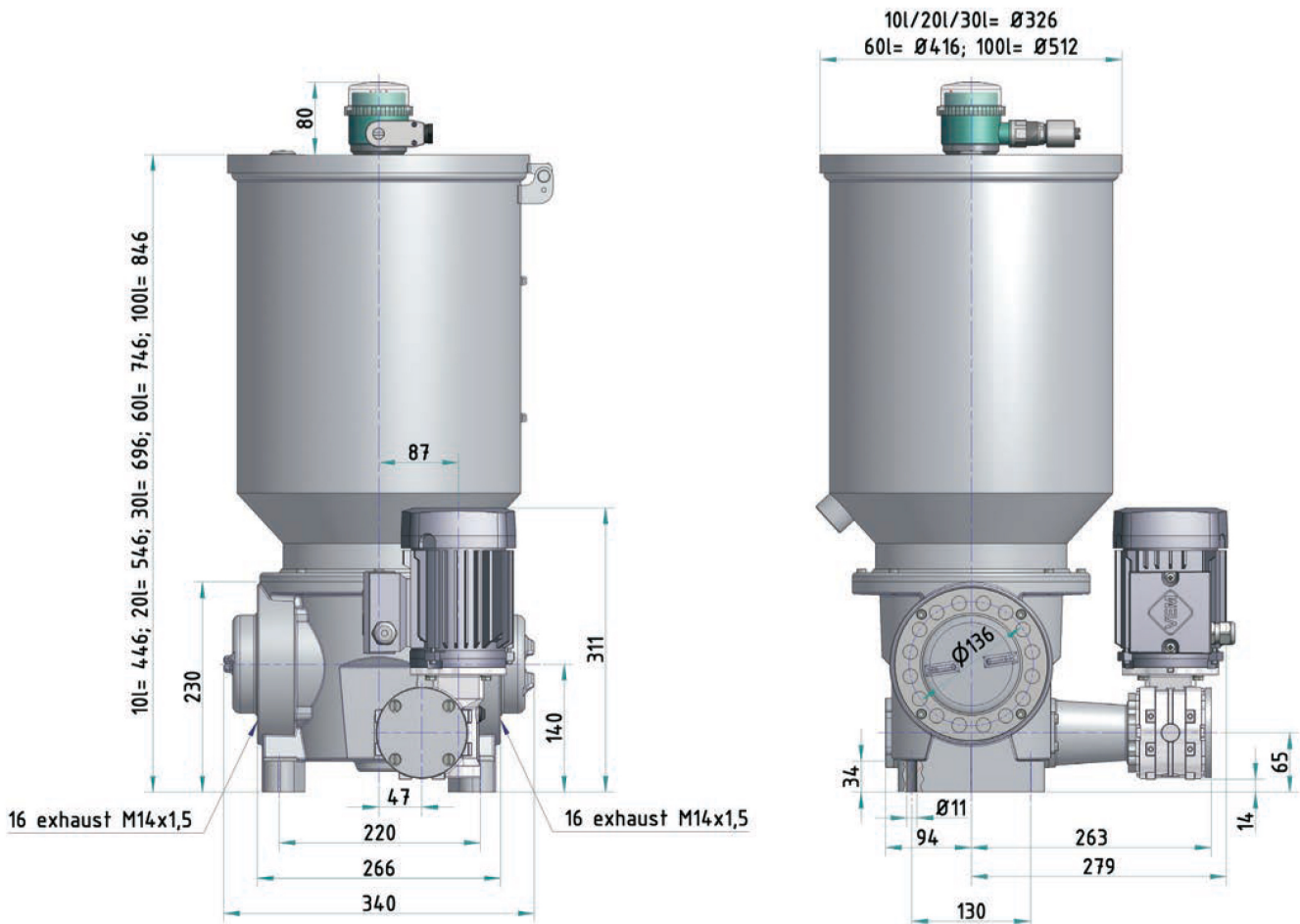


Ultrasonic level switch see data sheet: BA\_2005\_1\_GB\_76951\_6011



**SPECIFICATION**

Rated pressure : \_\_\_\_\_ 160 bar  
 Operating pressure : \_\_\_\_\_ in dependence on operating mode and operating conditions (to be agreed upon with the manufacturer)  
 Rate of delivery per outlet : \_\_\_\_\_ 0 ... 0.2 cm<sup>3</sup>/stroke  
 Pipe connection for feed line : \_\_\_\_\_ M 14 x 1.5  
 Step-down ratio : \_\_\_\_\_ 150 : 1; 225 : 1; 450 : 1  
 Delivery rate : \_\_\_\_\_ 1.69 cm<sup>3</sup>/min; 1.12 cm<sup>3</sup>/min; 0.6 cm<sup>3</sup>/min  
 Rated speed of pump shaft (rpm) : \_\_\_\_\_ max. 12 min<sup>-1</sup>  
 Electro motor : \_\_\_\_\_ K21R 71 G4 IM B14K  
 Rated speed : \_\_\_\_\_ 1360 min<sup>-1</sup>  
 Motor power \_\_\_\_\_ 0.37 kW  
 NLGI class : \_\_\_\_\_ 000 ... 3  
 Temperature range : \_\_\_\_\_ - 30 °C up to + 60 °C  
 Number of outlets : \_\_\_\_\_ max. 32  
 Reservoir capacity : \_\_\_\_\_ 10; 20; 30; 60 liters  
 Weight : \_\_\_\_\_ 40 and/or 50 kg





**EXAMPLE OF ORDER**

| Code |   |   |   |   |   |   |   |   |   |   |   |
|------|---|---|---|---|---|---|---|---|---|---|---|
| Z    | P | 6 | 3 | 2 | B | 0 | 1 | R | C | 0 | 1 |

|   |           |     |     |     |     |     |     |     |     |     |     |
|---|-----------|-----|-----|-----|-----|-----|-----|-----|-----|-----|-----|
| <b>Pump type ZP6000</b>   | Code: ZP6 | --- | --- | --- | --- | --- | --- | --- | --- | --- | --- |
| <b>Number of outlets</b><br>32 outlets  | Code: 32  | --- | --- | --- | --- | --- | --- | --- | --- | --- | --- |
| <b>Revision</b><br>Status B   | Code: B   | --- | --- | --- | --- | --- | --- | --- | --- | --- | --- |
| <b>Kinds of drive</b><br>Step-down gear, ratio 150:1,<br>three-phase A.C. motor 230/400V, 50Hz, M | Code: 01  | --- | --- | --- | --- | --- | --- | --- | --- | --- | --- |
| <b>Position of drive</b><br>on the right  | Code: R   | --- | --- | --- | --- | --- | --- | --- | --- | --- | --- |
| <b>Reservoir size</b><br>30 liters metal, with hinge, closure and removable                       | Code: C   | --- | --- | --- | --- | --- | --- | --- | --- | --- | --- |
| <b>Accessories</b><br>Ultrasonic level switch for reservoir 30 liters                             | Code: 01  | --- | --- | --- | --- | --- | --- | --- | --- | --- | --- |