



Product description
Manual pump
DA / 4 / 5 / 6

DESCRIPTION

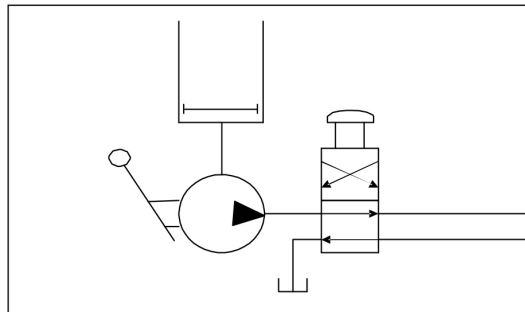
A range of heavy duty manually operated pumps for use with dual-line non return systems where the change from one supply line to the second is achieved automatically by the rise in pressure.

OPERATION

At regular intervals, the pump is operated discharging lubricant to one of the two supply lines in the dual-line system. When all the valves in the system have operated, the system pressure will rise as indicated on the pressure gauge. The pressure will eventually reach the setting of the reversing valve which will automatically change over directing the pump flow to the second supply line. This line is also pumped up to the changeover pressure until the reversing valve re-directs the flow to the original line. One complete operation to the dual-line system is now complete. It is important that the pumping operation is carried out slowly and steadily otherwise surge pressure could change over the reversing valve before all valves in the system have operated. The magnitude of the setting of the reversing valve is established by noting the pressure required to operate all the valves in the systems and then adding 25 % safety margin to account for cold starts etc. The pump is fitted with a bottom filling quick release connection to ensure only clean filtered lubricant, without trapped air pockets, enters the reservoir. The reservoir has a content indicator. On the grease reservoir, the indicator is fitted to a follower plate and on the oil reservoir, it is fitted to a float. If required, the pump can be fitted with a counter to monitor with a number of operations completed.



PRINCIPAL SCHEME





CHARACTERISTICS

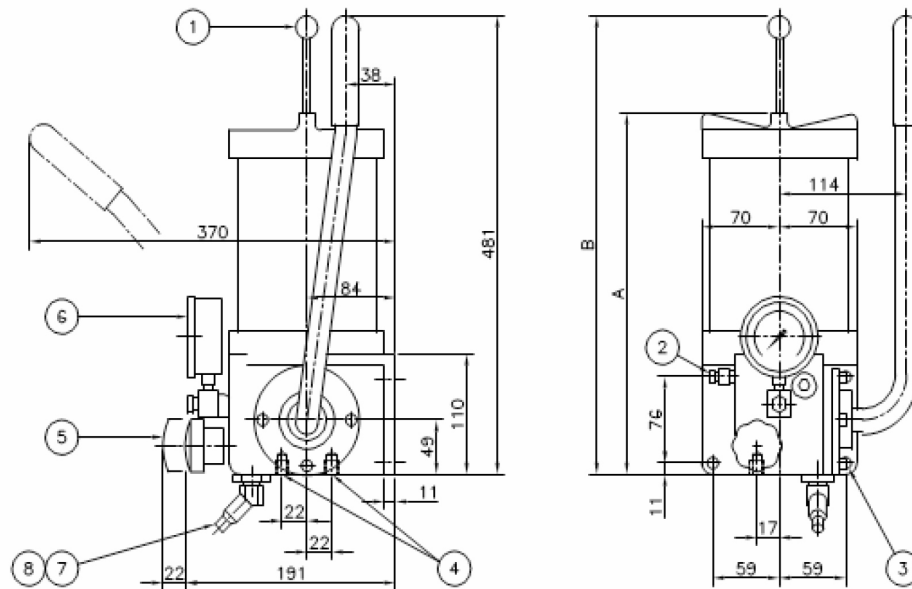
Pump outputs:7.5 cc per stroke
 Max operating pressure: 210 bar
 Reservoir capacity:Grease 3.8 and 5.6 kg
 Lubricant:Oil 5 and 7.4 Kg
 Weight:..... DA5 – 21 kg, DA6 – 22 kg

TO ORDER

Model	Part number	Reservoir	Lubricant
DA4-101A	DEN 16521	2,0 kgs	
DA5-101A	DEN 16522	3,8 kgs	
DA6-101A	DEN 16523	5,6 kgs	
Please contact us			Oil



PUMP DA 4 / 5 / 6: TECHNICAL DRAWING



Legend:

Marks	Designations
1	Indicator pin
2	Air bleed valve
3	4 holes mounting \varnothing 11 mm
4	2 discharge port 1 / 4
5	Reversing handle

Spare parts:

Marks	Codes	Designations
6	AC 441	Pressure gauge
7	DEN 03750	Filler connection
8	DEN 03660	Filling cap

Dimensions:

TYPE	A	B
DA4	367	592
DA5	532	923
DA6	706	1272

