



Product description Distributor ZV-C

APPLICATION

The distributors ZV-C are used for dual-line central lubrication systems for grease and for oil. Their function is to meter the lubricant and to press it through the lines to the lubrication points independently of back pressure.

PRODUCT CHARACTERISTICS

- Dual-line manifold block type C
- Grease and oil
- up to 4 outlets
- Metered volume continuously adjustable from 2.5 to 15 cm³
- Material: continuous casting



DESIGN

The distributors ZV-C are block type designed, and constructed in different metering volumes. Each distributor has two threaded holes G 3/8 on each of its two faces for the optional connection of the two main lines. For the connection of the friction point lines, the distributor has two to four threaded holes G 1/4.

The distributor does not have springs and works hydraulically, operated by the lubricant.

FUNCTION

The distributor ZV-C has one metering piston and one control piston for every two lubrication points, connected. Depending on either main line no. I or main line no. II is pressurized, where the second main line must be relieved of pressure, only that lubrication point will be served which is associated with the main line concerned. As a result, an operating cycle always includes two lubricating strokes.





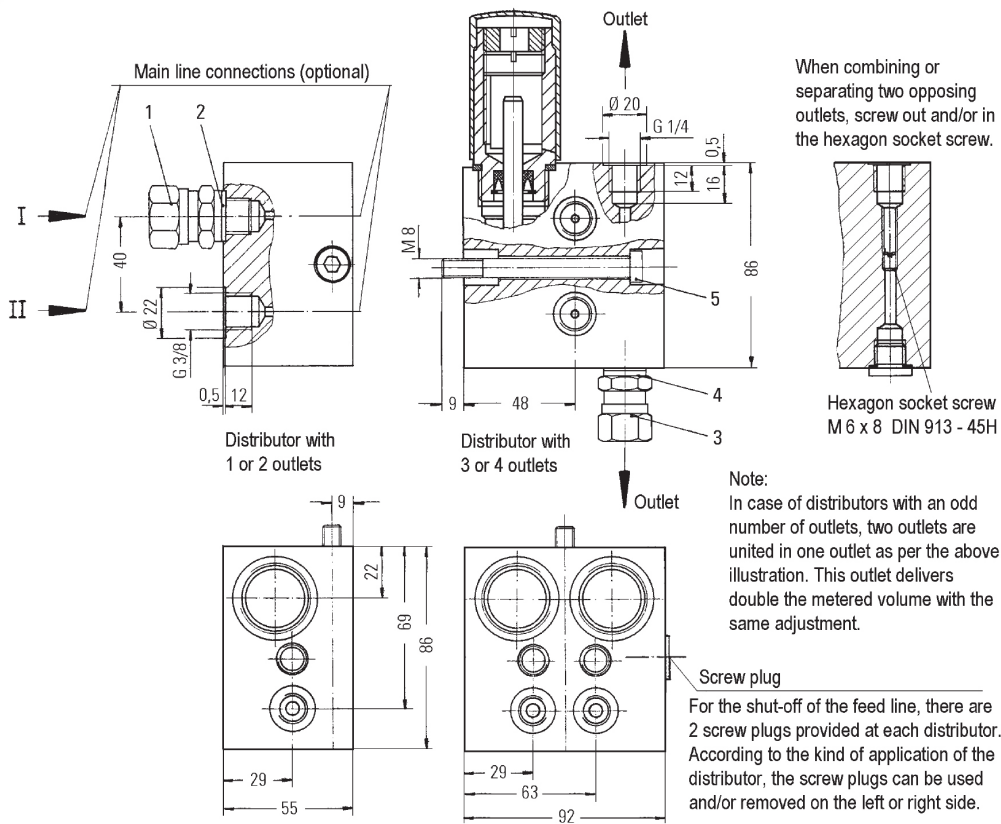
A. DISTRIBUTOR TYPE **Code**

ZVC

B. NUMBER OF OUTLETS **Code**

- 1 outlet
- 2 outlets
- 3 outlets
- 4 outlets

- 01
- 02
- 03
- 04



C. REVISION **Code**

Status A

A

D. METERED VOLUME **Code**

15 cm³

15





SPECIFICATION

Working pressure max. : _____ 400 bar
 Actuating pressure min.: _____ 10 bar
 Metered volume : _____ continuously adjustable from 2.5 to 15 cm³
 Actuating volume : _____ 0.3 cm³
 Number of outlets : _____ 1 up to 4
 Temperature range : _____ - 20 °C up to + 80 °C
 Suitable lubricants on mineral oil basis:
 Grease lubricants _____ NLGI class 3 DIN 51818
 Oil _____ ISO VG 68 to 1500 (DIN 51519) as service viscosity 190 mm²s
 Synthetic lubricants : _____ on request

ATTENTION

Pressurization of the distributors with more than 400 bar means danger to life and limb of persons.

EXAMPLE OF ORDER

		Code							
		Z	V	C	0	3	A	1	5
Distributor type ZV-C	Code: ZVC								
Number of outlets 3 outlets	Code: 03								
Revision Status A	Code: A								
Metered volume 15 cm ³	Code: 15								

