

# Worm Drive Hose Clamps

## DIN 3017 W1 Hose Clamps

Two bandwidths: 9mm and 12mm.

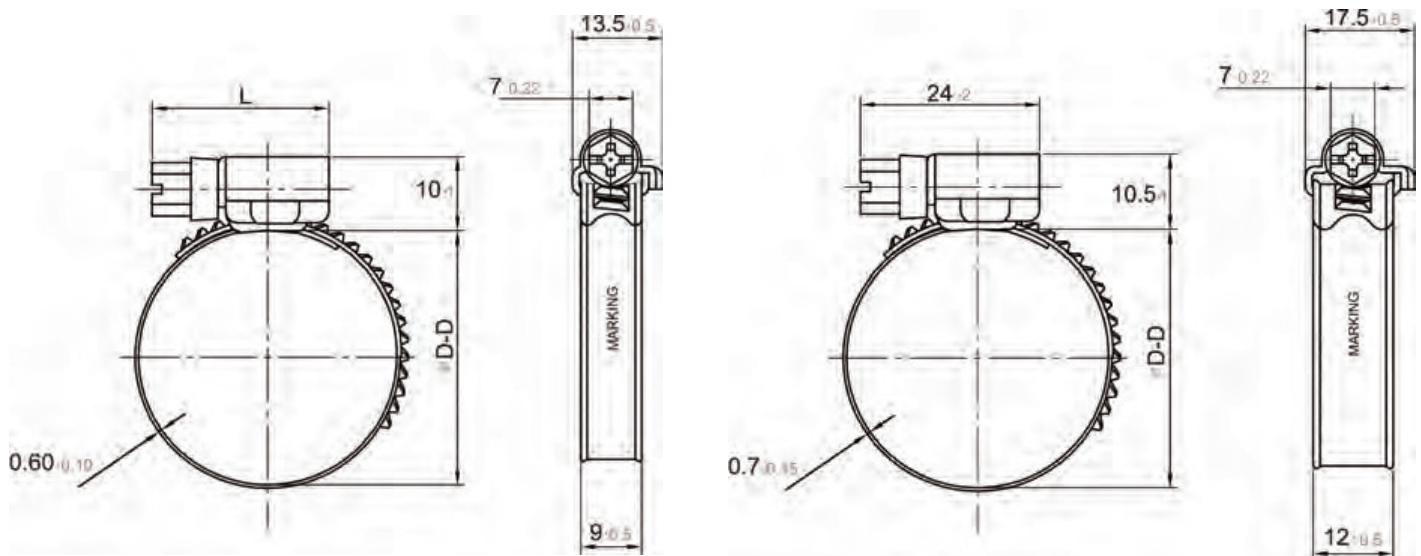
Five material choices:

| Band      | Housing   | Screw     | Reference |
|-----------|-----------|-----------|-----------|
| Z/C Steel | Z/C Steel | Z/C Steel | W1        |
| AISI 430  | AISI 430  | Z/C Steel | W2        |
| AISI 430  | AISI 430  | AISI 430  | W3        |
| AISI 304  | AISI 304  | AISI 304  | W4        |
| AISI 316  | AISI 316  | AISI 316  | W5        |



\* Type W3 and W5 are usually made to order unless scheduled.  
Z/C = Zinc coated.

Our most popular clamp is the type W2 which combines strength with appearance and this is the type we will normally supply unless otherwise specified.



Outline layout of 9 and 12mm band clamps.

| DIN 3017 Clamps    |                 |         |           |     |     |     |  |    |    |    |
|--------------------|-----------------|---------|-----------|-----|-----|-----|--|----|----|----|
| Our series number: |                 |         | Series 75 |     |     |     | Series 76  |    |    |    |
| Clamping diameter  |                 |         | 9mm band  |     |     |     | 12mm band  |    |    |    |
| mm                 | inch            | classic | W1        | W2  | W4  | W5  | W1   | W2 | W4 | W5 |
| 8-12               | 5/16 – 1/2      | OOO     | 2.5       | 3.0 | 3.0 | 3.0 | Recommended tightening torque – Newton millimetres |    |    |    |
| 10-16              | 3/8 – 5/8       | MOO     | 3.0       | 3.5 | 3.5 | 3.5 |  |    |    |    |
| 12-20              | 1/2 - 3/4       | OO      |           |     |     |     |  |    |    |    |
| 12-22              | 1/2 - 7/8       | O       |           |     |     |     |  |    |    |    |
| 16-27              | 5/8 – 1.1/16    | OX      |           |     |     |     |  |    |    |    |
| 20-32              | 3/4 - 1.1/4     | 1A      |           |     |     |     |  |    |    |    |
| 23-35              | 7/8 – 1.3/8     | 1       |           |     |     |     |  |    |    |    |
| 25-40              | 1 – 1.5/8       | 1X      |           |     |     |     |  |    |    |    |
| 32-50              | 1.1/4 – 2       | 2A      |           |     |     |     |  |    |    |    |
| 40-55              | 1.5/8 – 2.1/8   | 2       |           |     |     |     |  |    |    |    |
| 40-60              | 1.5/8 – 2.3/8   | 2X      |           |     |     |     |  |    |    |    |
| 50-70              | 2 – 2.3/4       | 3       |           |     |     |     |  |    |    |    |
| 60-80              | 2.3/8 – 3.1/8   | 3X      |           |     |     |     |  |    |    |    |
| 70-90              | 2.3/4 – 3.1/4   | 4       |           |     |     |     |  |    |    |    |
| 80-100             | 3.1/8 – 4       | 4X      |           |     |     |     |  |    |    |    |
| 90-110             | 3.1/2 – 4.3/8   | 5       |           |     |     |     |  |    |    |    |
| 100-120            | 4 – 4.3/4       | 5       |           |     |     |     |  |    |    |    |
| 110-130            | 4.3/8 – 5.1/8   | 6       |           |     |     |     |  |    |    |    |
| 120-140            | 4.3/4 – 5.1/8   | 6X      |           |     |     |     |  |    |    |    |
| 130-150            | 5.1/8 – 6       | 6X      |           |     |     |     |  |    |    |    |
| 140-160            | 5.7/8 – 6.3/8   | 7       |           |     |     |     |  |    |    |    |
| 150-170            | 6 – 6.3/4       |         |           |     |     |     |  |    |    |    |
| 160-180            | 6.3/8 – 7       |         |           |     |     |     |  |    |    |    |
| 170-190            | 6.3/4 – 7.1/2   |         |           |     |     |     |  |    |    |    |
| 180-200            | 7 – 7.7/8       |         |           |     |     |     |  |    |    |    |
| 190-210            | 7.1/2 – 8.1/4   |         |           |     |     |     |  |    |    |    |
| 200-220            | 7.7/8 – 8.5/8   |         |           |     |     |     |  |    |    |    |
| 210-230            | 8.1/4 – 9       |         |           |     |     |     |  |    |    |    |
| 220-240            | 8.5/8 – 9.1/2   |         |           |     |     |     |  |    |    |    |
| 230-250            | 9 – 9.7/8       |         |           |     |     |     |  |    |    |    |
| 240-260            | 9.1/2 – 10.1/4  |         |           |     |     |     |  |    |    |    |
| 260-280            | 10.1/4 – 11     |         |           |     |     |     |  |    |    |    |
| 290-310            | 11.3/8 – 12.1/4 |         |           |     |     |     |  |    |    |    |



**Series 75**

W1 = B75

W2 = A75

W4 = D75

W5 = V75

**Series 76**

W1 = B76

W2 = A76

W4 = D76

W5 = V76

For larger sizes please enquire, though our Quick release clamps are in stock (pages 24, 25 & 26).