

# Antifrost Bibcocks



## MATERIALS

BODY, SLEEVE, HOSE CONNECTION: Brass CW617N-UNIEN12165

BALL: Brass CW617N-UNIEN12165 chrome-plated

STEM, NUT: Brass CW614N-UNIEN12164

SEALS: pure PTFE

O-RINGS: Nbr

FLAT SEAL: EPDM

HANDLE: Aluminium EN-AB46100

SCREW: Zincplated steel

NOZZLE: Plastic



## Working temperature:

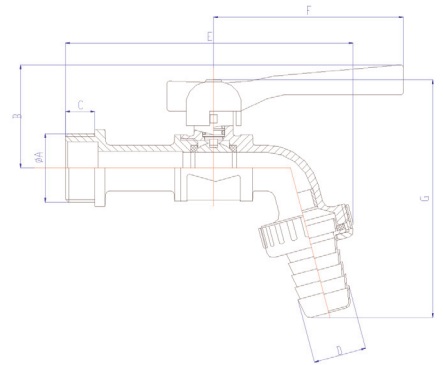
Working temperature:

-20° +100°C

Threads: UNI ISO 228/1

PN without nipple for h.: 30 bar

PN with nipple for hose-c.: 3 bar



A	B	C	D	E	F	G	DN
1/2"	44	11,5	14	105	63	92,5	10
3/4"	47	12	20	119	63	104,5	12