

Mini Ball Valves



MATERIALS

BODY: Brass CW614N-UNIEN12164
 SLEEVE: Brass CW614N-UNIEN12164
 BALL: Brass CW614N-UNIEN12164 chrome-plated
 STEM: Brass CW614N-UNIEN12164
 SEAL: pure PTFE
 O-Ring: Nbr
 HANDLE: Abs
 SCREW: Zincplated steel

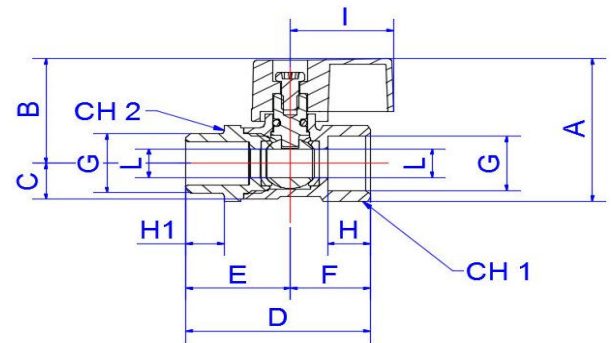


Working temperature:

-10° +90°C

Threads: UNI ISO 228/1

FINAL TEST conforming with
 UNI EN 12266-1 points A3 or A4



Misura Size	A	B	C	D	E	F	G	H	H1	I	L	CH1	CH2	PN Max BAR
1/4"	39,6	29	10,5	43,3	24,5	18,8	1/4"	10	9	24,3	8	19	19	20
3/8"	39,6	29	10,5	43,3	24,5	18,8	3/8"	10	9	24,3	8	19	19	20
1/2"	43,8	30,3	13,5	47	26,5	20,5	1/2"	10	10	24,3	10	25	25	20