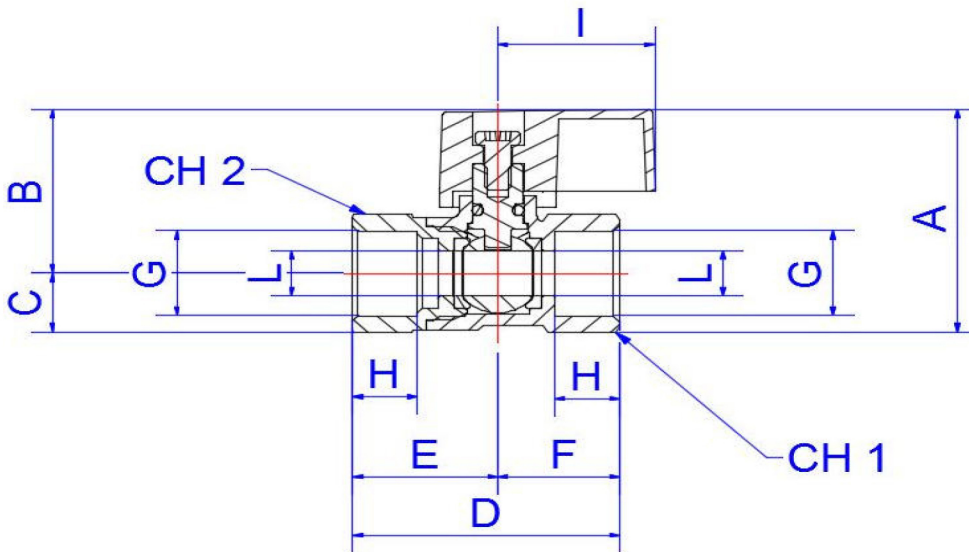


Mini Ball Valves



| PART CODE | Size BSPP | A | B | C | D | E | F | G | H | I | L | CH1 | CH2 | PN Max Bar |
|-------------|-----------|------|------|------|------|------|------|------|----|------|----|-----|-----|------------|
| TEMBVFF-1/4 | 1/4" | 39,6 | 29 | 10,5 | 41,3 | 22,5 | 18,8 | 1/4" | 10 | 24,3 | 8 | 19 | 19 | 20 |
| TEMBVFF-3/8 | 3/8" | 39,6 | 29 | 10,5 | 41,3 | 22,5 | 18,8 | 3/8" | 10 | 24,3 | 8 | 19 | 19 | 20 |
| TEMBVFF-1/2 | 1/2" | 43,8 | 30,3 | 13,5 | 45 | 24,5 | 20,5 | 1/2" | 10 | 24,3 | 10 | 25 | 25 | 20 |

MATERIALS

BODY: Brass CW617N-UNIEN12165

END CONNECTION: Brass CW614N-UNIEN12164

BALL: Brass CW614N-UNIEN12164 chrome-plated

STEM: Brass CW614N-UNIEN12164

SEAL: pure PTFE

O-Ring: Nbr

HANDLE: Abs

SCREW: Zincplated steel

Working temperature:
-10° +90°C

Threads: UNI ISO 228/1

FINAL TEST
conforming with
UNI EN 12266-1 points A3 or A4