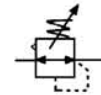


# Professional Range Mark 2 Regulator



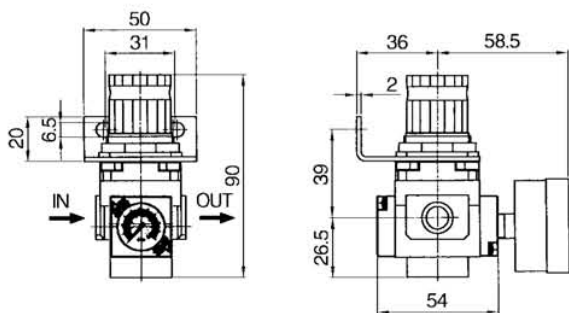
## Specification:

Type	FM2-20-01-R	FM2-30-02-R	FM2-40-03-R FM2-40-06-R	FM2-50-06-R / FM2-50-10-R
Port size G	1/8" · 1/4"	1/4" · 3/8"	3/8" · 1/2"	3/4" · 1"
Gauge thread G	1/8"		1/4"	
Fluid	Air			
Operating pressure range MPa	0.15-0.85			
Max. Flow rate L/min	500	1700	3000	5000
Ambient temperature °C	-10-60			

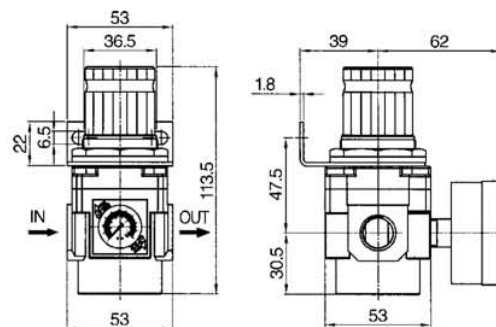


## Dimension(mm):

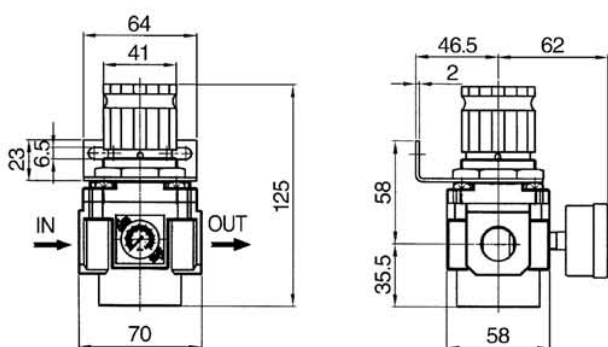
FM2-20-01-R



FM2-30-02-R



FM2-40-03-R & FM2-40-04-R



FM2-50-06-R & FM2-50-10-R

