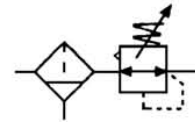


Professional Range Mark 2 Filter Regulator



Specification:



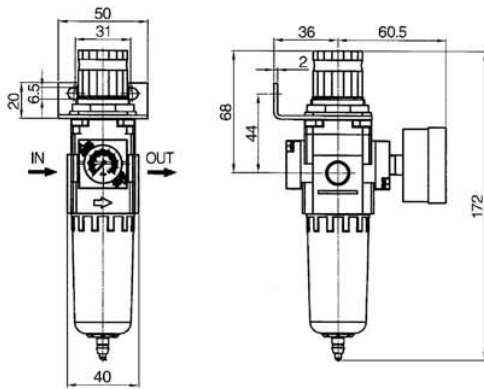
Type	FM2-20-01-W	FM2-30-02-C	FM2-40-03-C FM2-40-04-C	FM2-50-06-C / FM2-50-10-C
Port size G	1/8" · 1/4"	1/4" · 3/8"	3/8" · 1/2"	3/4" · 1"
Gauge thread G	1/8"		1/4"	
Fluid	Air			
Operating pressure range MPa	0.15-0.85			
Max.Flow rate L/min	5000	1700	3000	5000
Ambient temperature °C	-10-60			
Filter precision	Standard: 20 µ m			
Cup material	Polycarbonate			
Guard cup	●	●	●	●



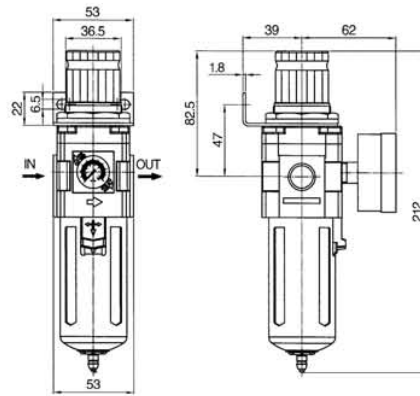
Notes 1: The guard cup of AW200A series can be optional. 2: The cups of AW200A, AW300A series can be optional.

Dimension(mm):

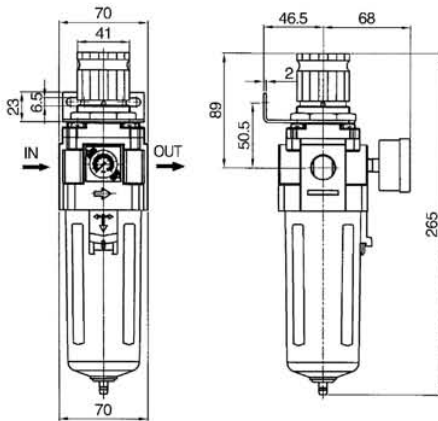
FM2-20-01-W



FM2-30-01-W



FM2-40-03-W & FM2-40-04-W



FM2-50-06-W & FM2-50-10-W

