

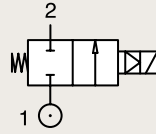
2 Way Valves

2/2 Valves for water Pilot Operated

BRASS

PIPE MOUNTING

NORMALLY CLOSED

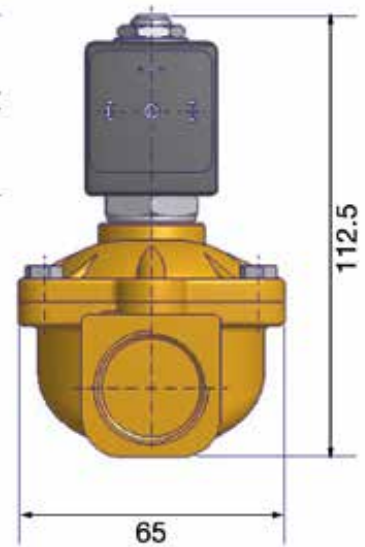
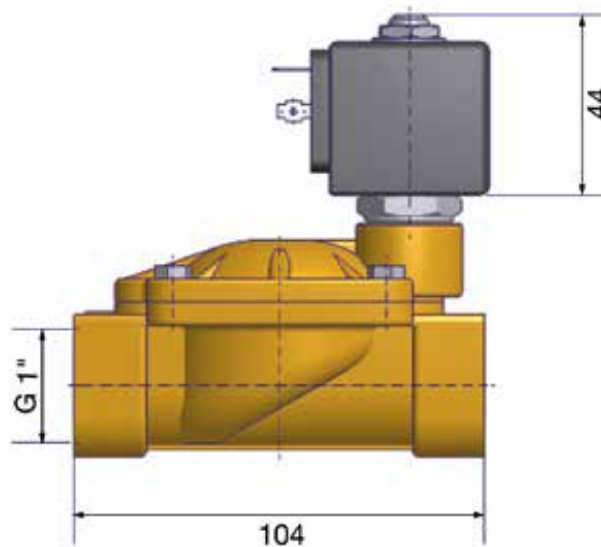
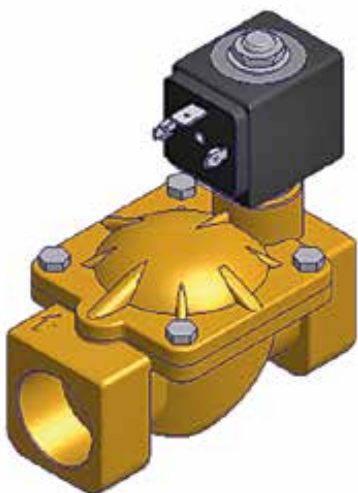


| Port size | Orifice Ø | Flow factors | | | Seat Seal | Atex Zone | Operating Pressure Differential | | Fluid Temp. | | Power | Voltage | Solenoid Valve Order Number |
|-----------|-----------|--------------|------|----------|-----------|-----------|---------------------------------|----------|-------------|---------|-------|---------------|-----------------------------|
| | | BSP | mm | Kv l/min | | | KV m³/h | Qn l/min | Min bar | Max bar | | | |
| 1" | 25 | 160 | 9.60 | - | EPDM | - | 0.1 | 10 | -10 | 140 | 8 | 220-230V/50Hz | 550029DIS |
| | | | | | | | 0.1 | 10 | -10 | 140 | 9 | 24 Vdc | 550028DIS |
| | | | | | | | 0.1 | 20 | -10 | 90 | 8 | 220-230V/50Hz | 550031DIS |
| | | | | | | | 0.1 | 20 | -10 | 90 | 9 | 24 Vdc | 550030DIS |
| | | | | | | | 0.1 | 20 | -10 | 140 | 8 | 220-230V/50Hz | 550204DIS |
| | | | | | | | 0.1 | 20 | -10 | 140 | 9 | 24 Vdc | 550203DIS |
| | | | | | FKM | 2-22 | 0.1 | 20 | -10 | 50 | 8 | 220-230V/50Hz | 550214DIS |
| | | | | | | | 0.1 | 20 | -10 | 50 | 9 | 24 Vdc | 550213DIS |
| | | | | | | 1-21 | 0.1 | 20 | -10 | 80 | 8 | 230V/50Hz | 550206DIS |
| | | | | | | | 0.1 | 20 | -10 | 80 | 8 | 24 Vdc | 550205DIS |



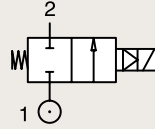
ATEX

Fast Delivery



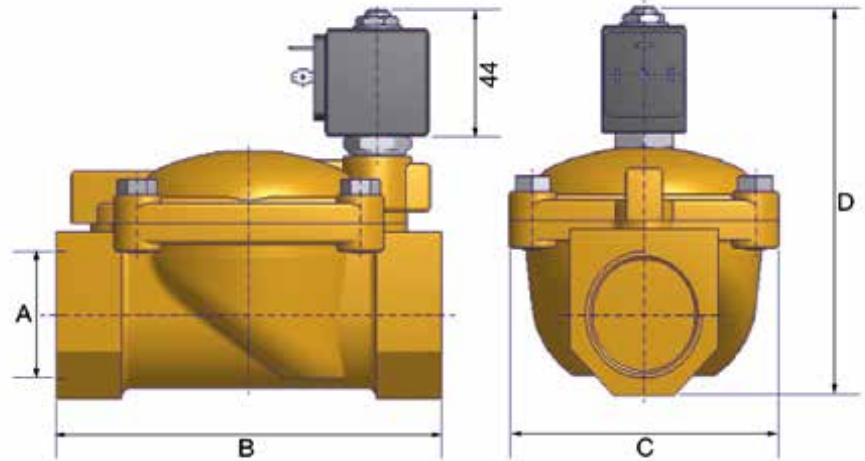
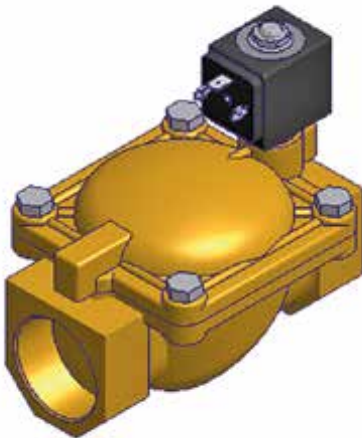
BRASS PIPE MOUNTING

NORMALLY CLOSED



| Port size | Orifice Ø | Flow factors | | | Seat Seal | Atex Zone | Operating Pressure Differential | | Fluid Temp. | | Power | Voltage | Solenoid Valve Order Number |
|-----------|-----------|--------------|-------|----------|-----------|-----------|---------------------------------|----------|-------------|---------|-------|---------------|-----------------------------|
| | | BSP | mm | Kv l/min | | | KV m³/h | Qn l/min | Min bar | Max bar | | | |
| 1 1/4" | 35 | 420 | 25.20 | - | EPDM | - | 0.1 | 10 | -10 | 140 | 8 | 220-230V/50Hz | 550208DIS |
| | | | | | | | 0.1 | 10 | -10 | 140 | 9 | 24 Vdc | 550207DIS |
| | | | | | | | 0.1 | 10 | -10 | 90 | 8 | 220-230V/50Hz | 550033DIS |
| | | | | | | | 0.1 | 10 | -10 | 90 | 9 | 24 Vdc | 550032DIS |
| 1 1/2" | 40 | 500 | 30.00 | - | EPDM | - | 0.1 | 10 | -10 | 140 | 8 | 220-230V/50Hz | 550210DIS |
| | | | | | | | 0.1 | 10 | -10 | 140 | 9 | 24 Vdc | 550209DIS |
| | | | | | | | 0.1 | 10 | -10 | 90 | 8 | 220-230V/50Hz | 550035DIS |
| | | | | | | | 0.1 | 10 | -10 | 90 | 9 | 24 Vdc | 550034DIS |
| 2" | 50 | 620 | 37.20 | - | EPDM | - | 0.1 | 10 | -10 | 140 | 8 | 220-230V/50Hz | 550218DIS |
| | | | | | | | 0.1 | 10 | -10 | 140 | 9 | 24 Vdc | 550217DIS |
| | | | | | | | 0.1 | 10 | -10 | 90 | 8 | 220-230V/50Hz | 550216DIS |
| | | | | | | | 0.1 | 10 | -10 | 90 | 9 | 24 Vdc | 550215DIS |

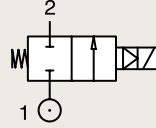
Fast Delivery



| A | B | C | D |
|--------|-----|-----|-----|
| G | mm | mm | mm |
| 1 1/4" | 145 | 102 | 134 |
| 1 1/2" | 145 | 102 | 134 |
| 2" | 173 | 118 | 148 |

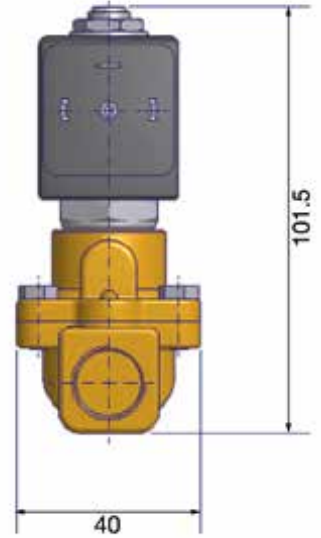
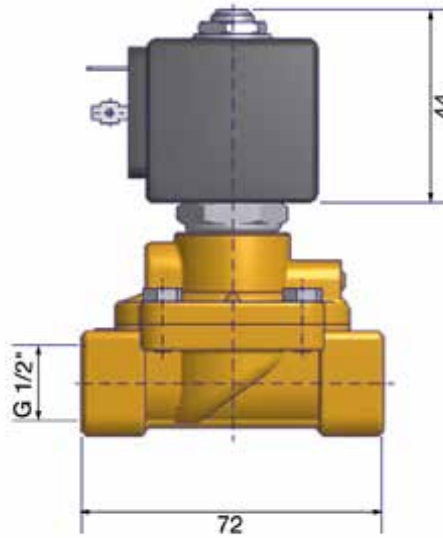
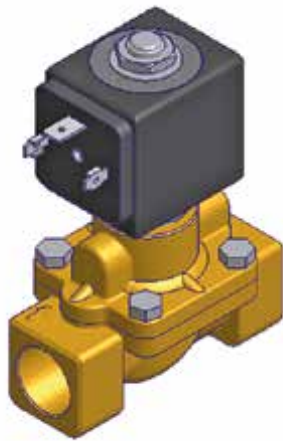
BRASS PIPE MOUNTING

NORMALLY CLOSED



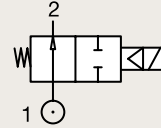
| Port size | Orifice Ø | Flow factors | | | Seat Seal | Atex Zone | Operating Pressure Differential | | Fluid Temp. | | Power | Voltage | Solenoid Valve Order Number |
|-----------|-----------|--------------|---------|----------|-----------|-----------|---------------------------------|---------|-------------|--------|-------|---------------|-----------------------------|
| | | Kv l/min | KV m³/h | Qn l/min | | | Min bar | Max bar | Min °C | Max °C | | | |
| BSP | mm | | | | | | | | | | | | |
| 1/2" | 13 | 50 | 3.00 | - | NBR | - | 0.1 | 20 | -10 | 90 | 8 | 220-230V/50Hz | 550023DIS |
| | | | | | | | 0.1 | 20 | -10 | 90 | 9 | 24 Vdc | 550022DIS |

Fast Delivery



BRASS PIPE MOUNTING

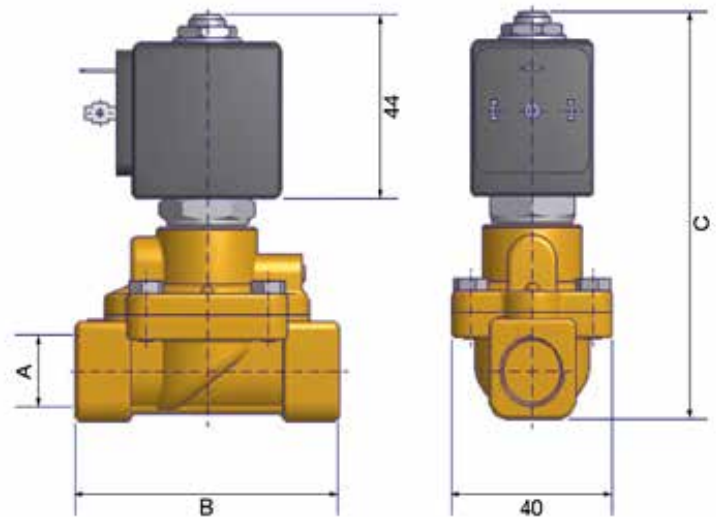
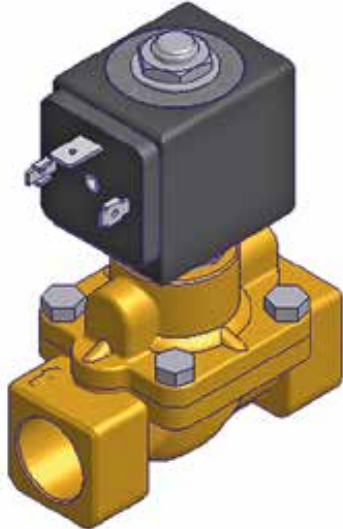
NORMALLY OPEN



| Port size | Orifice Ø | Flow factors | | | Seat Seal | Atex Zone | Operating Pressure Differential | | Fluid Temp. | | Power | Voltage | Solenoid Valve Order Number | | | | | | |
|-----------|-----------|--------------|---------|----------|-----------|-----------|---------------------------------|---------|-------------|--------|-------|---------------|-----------------------------|----|-----|----|---|---------------|-----------|
| | | Kv l/min | KV m³/h | Qn l/min | | | Min bar | Max bar | Min °C | Max °C | | | | W | | | | | |
| 3/8" | 13 | 50 | 3.00 | - | NBR | - | 0.1 | 20 | -10 | 90 | 8 | 220-230V/50Hz | 550057DIS | | | | | | |
| | | | | | | | 0.1 | 20 | -10 | 90 | 9 | 24 Vdc | 550056DIS | | | | | | |
| | | | | | | 2-22 | 0.1 | 20 | -10 | 50 | 8 | 220-230V/50Hz | 550192DIS | | | | | | |
| | | | | | | | 0.1 | 20 | -10 | 50 | 9 | 24 Vdc | 550191DIS | | | | | | |
| | | | | | | 1-21 | 0.1 | 20 | -10 | 80 | 8 | 230V/50Hz | 550152DIS | | | | | | |
| | | | | | | | 0.1 | 20 | -10 | 80 | 8 | 24 Vdc | 550151DIS | | | | | | |
| | | | | | | 1/2" | 13 | 50 | 3.00 | - | NBR | - | 0.1 | 20 | -10 | 90 | 8 | 220-230V/50Hz | 550047DIS |
| | | | | | | | | | | | | | 0.1 | 20 | -10 | 90 | 9 | 24 Vdc | 550046DIS |
| 2-22 | 0.1 | 20 | -10 | 50 | 8 | | | | | | | 220-230V/50Hz | 550182DIS | | | | | | |
| | 0.1 | 20 | -10 | 50 | 9 | | | | | | | 24 Vdc | 550181DIS | | | | | | |
| 1-21 | 0.1 | 20 | -10 | 80 | 8 | | | | | | | 230V/50Hz | 550142DIS | | | | | | |
| | 0.1 | 20 | -10 | 80 | 8 | | | | | | | 24 Vdc | 550141DIS | | | | | | |

ATEX

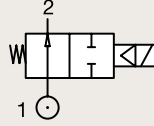
Fast Delivery



| A | B | C |
|------|----|-------|
| G | mm | mm |
| 3/8" | 69 | 99.5 |
| 1/2" | 72 | 101.5 |

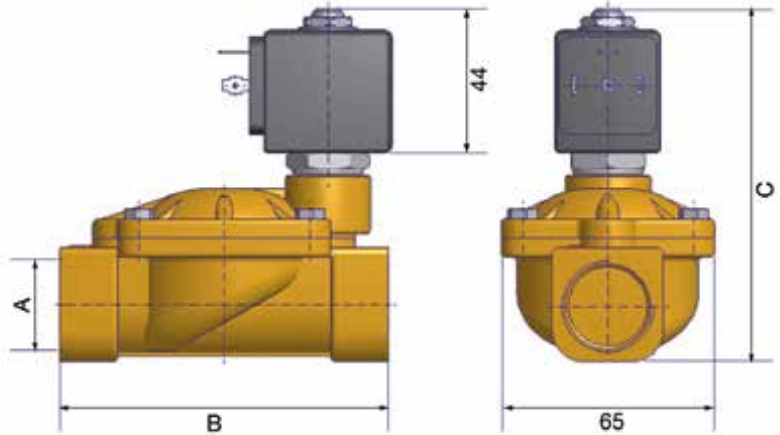
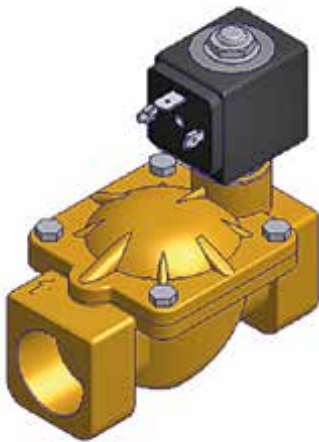
BRASS PIPE MOUNTING

NORMALLY OPEN



| Port size | Orifice Ø | Flow factors | | | Seat Seal | Atex Zone | Operating Pressure Differential | | Fluid Temp. | | Power | Voltage | Solenoid Valve Order Number |
|-----------|-----------|--------------|------|----------|-----------|-----------|---------------------------------|----------|-------------|---------|-------|---------------|-----------------------------|
| | | BSP | mm | Kv l/min | | | KV m³/h | Qn l/min | Min bar | Max bar | | | |
| 3/4" | 20 | 140 | 8.40 | - | NBR | - | 0.1 | 20 | -10 | 90 | 8 | 220-230V/50Hz | 550049DIS |
| | | | | | | | 0.1 | 20 | -10 | 90 | 9 | 24 Vdc | 550048DIS |
| | | | | | | 2-22 | 0.1 | 20 | -10 | 50 | 8 | 220-230V/50Hz | 550184DIS |
| | | | | | | | 0.1 | 20 | -10 | 50 | 9 | 24 Vdc | 550183DIS |
| | | | | | | 1-21 | 0.1 | 20 | -10 | 80 | 8 | 230V/50Hz | 550144DIS |
| | | | | | | | 0.1 | 20 | -10 | 80 | 8 | 24 Vdc | 550143DIS |
| 1" | 25 | 160 | 9.60 | - | NBR | - | 0.1 | 20 | -10 | 90 | 8 | 220-230V/50Hz | 550051DIS |
| | | | | | | | 0.1 | 20 | -10 | 90 | 9 | 24 Vdc | 550050DIS |
| | | | | | | 2-22 | 0.1 | 20 | -10 | 50 | 8 | 220-230V/50Hz | 550186DIS |
| | | | | | | | 0.1 | 20 | -10 | 50 | 9 | 24 Vdc | 550185DIS |
| | | | | | | 1-21 | 0.1 | 20 | -10 | 80 | 8 | 230V/50Hz | 550146DIS |
| | | | | | | | 0.1 | 20 | -10 | 80 | 8 | 24 Vdc | 550145DIS |

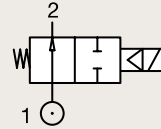
Fast Delivery



| A | B | C |
|------|-----|-------|
| G | mm | mm |
| 3/4" | 100 | 107 |
| 1" | 104 | 112.5 |

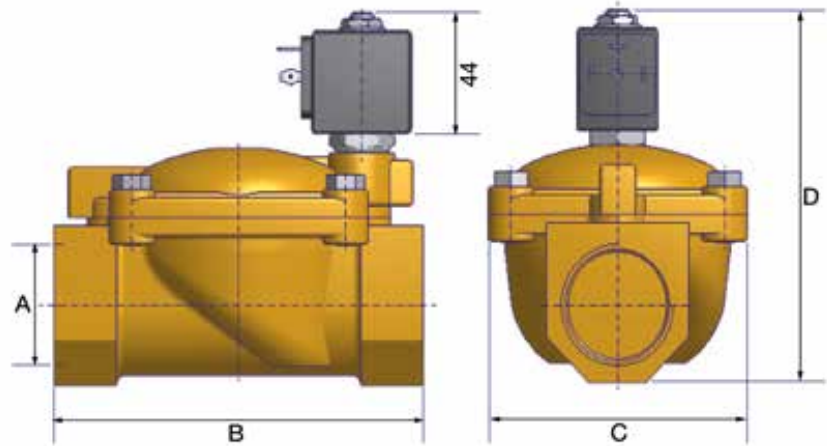
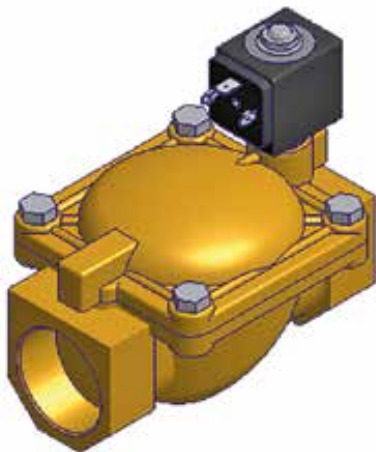
BRASS PIPE MOUNTING

NORMALLY OPEN



| Port size | Orifice Ø | Flow factors | | | Seat Seal | Atex Zone | Operating Pressure Differential | | Fluid Temp. | | Power | Voltage | Solenoid Valve Order Number | | | | | | |
|-----------|-----------|--------------|---------|----------|-----------|-----------|---------------------------------|---------|-------------|--------|-------|---------------|-----------------------------|----|-----|----|---|---------------|-----------|
| | | Kv l/min | KV m³/h | Qn l/min | | | Min bar | Max bar | Min °C | Max °C | | | | W | | | | | |
| 1 1/2" | 40 | 500 | 30.00 | - | NBR | - | 0.1 | 10 | -10 | 90 | 8 | 220-230V/50Hz | 550053DIS | | | | | | |
| | | | | | | | 0.1 | 10 | -10 | 90 | 9 | 24 Vdc | 550052DIS | | | | | | |
| | | | | | | 2-22 | 0.1 | 10 | -10 | 50 | 8 | 220-230V/50Hz | 550188DIS | | | | | | |
| | | | | | | | 0.1 | 10 | -10 | 50 | 9 | 24 Vdc | 550187DIS | | | | | | |
| | | | | | | 1-21 | 0.1 | 10 | -10 | 80 | 8 | 230V/50Hz | 550148DIS | | | | | | |
| | | | | | | | 0.1 | 10 | -10 | 80 | 8 | 24 Vdc | 550147DIS | | | | | | |
| | | | | | | 2" | 50 | 620 | 37.20 | - | NBR | - | 0.1 | 10 | -10 | 90 | 8 | 220-230V/50Hz | 550055DIS |
| | | | | | | | | | | | | | 0.1 | 10 | -10 | 90 | 9 | 24 Vdc | 550054DIS |
| 2-22 | 0.1 | 10 | -10 | 50 | 8 | | | | | | | 220-230V/50Hz | 550190DIS | | | | | | |
| | 0.1 | 10 | -10 | 50 | 9 | | | | | | | 24 Vdc | 550189DIS | | | | | | |
| 1-21 | 0.1 | 10 | -10 | 80 | 8 | | | | | | | 230V/50Hz | 550150DIS | | | | | | |
| | 0.1 | 10 | -10 | 80 | 8 | | | | | | | 24 Vdc | 550149DIS | | | | | | |

Fast Delivery



| A | B | C | D |
|--------|-----|-----|-----|
| G | mm | mm | mm |
| 1 1/2" | 145 | 102 | 134 |
| 2" | 173 | 118 | 148 |