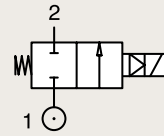


# 2 Way Valves

## 2/2 Valves for water

### Pilot Operated

BRASS  
PIPE MOUNTING  
NORMALLY CLOSED

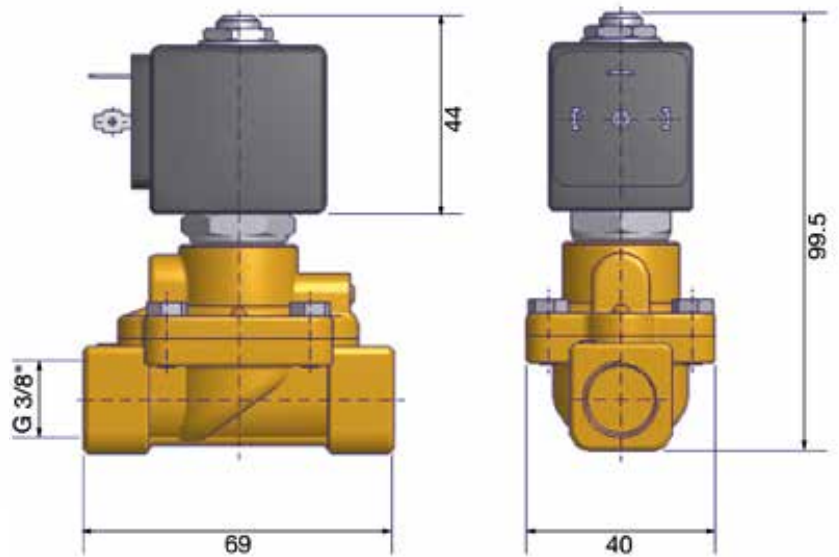
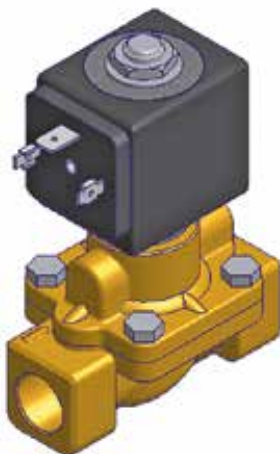


Port size	Orifice Ø	Flow factors			Seat Seal	Atex Zone	Operating Pressure Differential		Fluid Temp.		Power	Voltage	Solenoid Valve Order Number
		BSP	mm	Kv l/min			KV m³/h	Qn l/min	Min bar	Max bar			
3/8"	13	50	3.00	-	EPDM	-	0.1	10	-10	140	8	220-230V/50Hz	550037DIS
							0.1	10	-10	140	9	24 Vdc	550036DIS
							0.1	20	-10	90	8	220-230V/50Hz	550039DIS
							0.1	20	-10	90	9	24 Vdc	550038DIS
							0.1	20	-10	140	8	220-230V/50Hz	550041DIS
							0.1	20	-10	140	9	24 Vdc	550040DIS
					FKM	2-22	0.1	20	-10	50	8	220-230V/50Hz	550176DIS
							0.1	20	-10	50	9	24 Vdc	550175DIS
						1-21	0.1	20	-10	80	8	230V/50Hz	550136DIS
							0.1	20	-10	80	8	24 Vdc	550135DIS



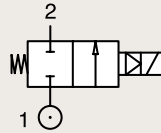
ATEX

Fast Delivery



BRASS  
PIPE MOUNTING

**NORMALLY CLOSED**

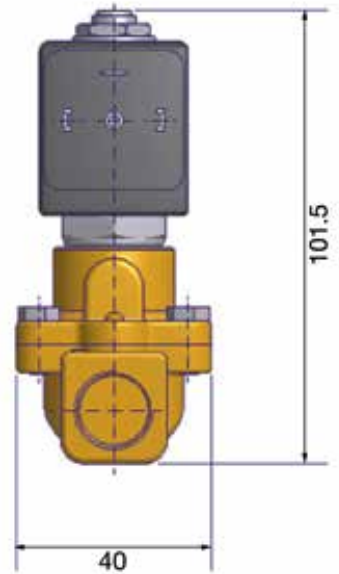
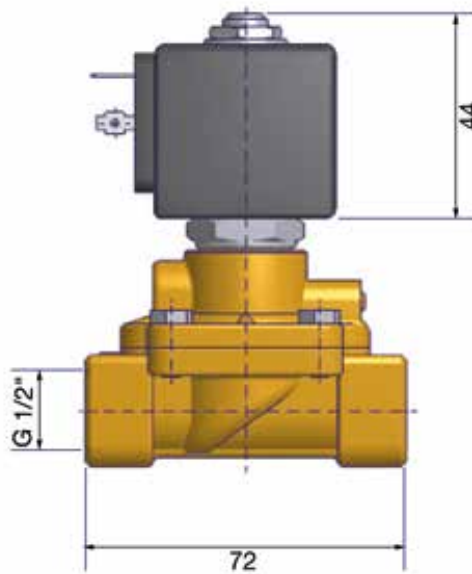
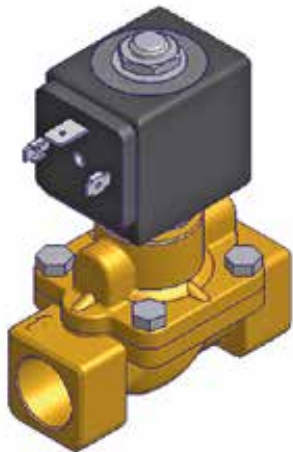


Port size	Orifice Ø	Flow factors			Seat Seal	Atex Zone	Operating Pressure Differential		Fluid Temp.		Power	Voltage	Solenoid Valve Order Number		
		Kv l/min	KV m³/h	Qn l/min			Min bar	Max bar	Min °C	Max °C				W	
1/2"	13	50	3.00	-	EPDM	-	0.1	10	-10	140	8	220-230V/50Hz	550019DIS		
							0.1	10	-10	140	9	24 Vdc	550018DIS		
							NBR	-	0.1	20	-10	90	8	220-230V/50Hz	550021DIS
									0.1	20	-10	90	9	24 Vdc	550020DIS
							FKM	2-22	0.1	20	-10	140	8	220-230V/50Hz	550025DIS
									0.1	20	-10	140	9	24 Vdc	550024DIS
					1-21	0.1			20	-10	50	8	220-230V/50Hz	550160DIS	
						0.1			20	-10	50	9	24 Vdc	550159DIS	
					0.1	20	-10	80	8	230V/50Hz	550120DIS				
					0.1	20	-10	80	8	24 Vdc	550119DIS				



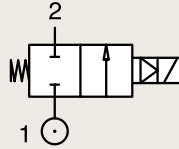
ATEX

Fast Delivery



BRASS  
PIPE MOUNTING

**NORMALLY CLOSED**

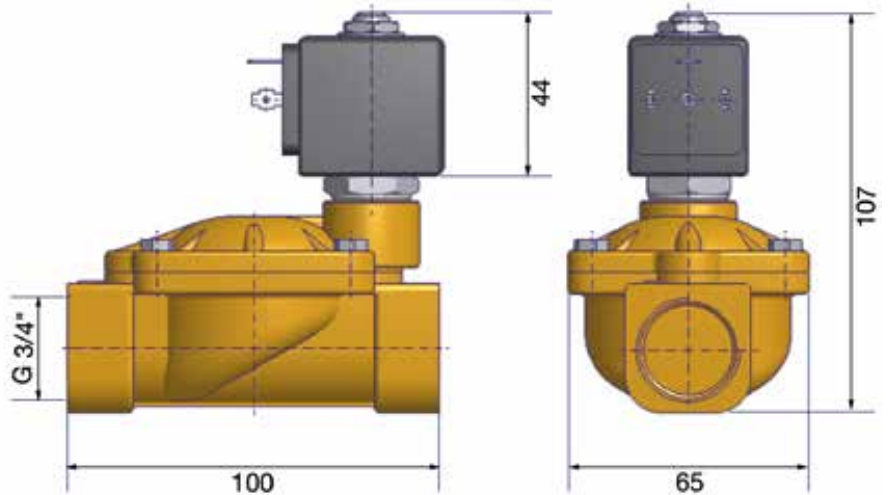
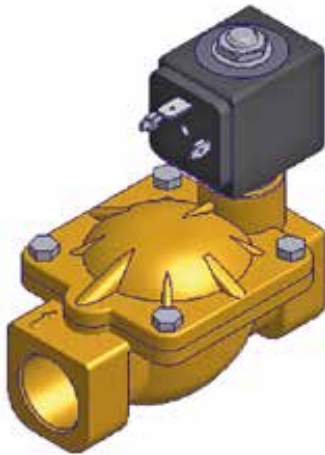


Port size	Orifice Ø	Flow factors		Seat Seal	Atex Zone	Operating Pressure Differential		Fluid Temp.		Power	Voltage	Solenoid Valve Order Number	
		Kv l/min	KV m³/h			Min bar	Max bar	Min °C	Max °C				W
3/4"	20	140	8.40	EPDM	-	0.1	10	-10	140	8	220-230V/50Hz	550027DIS	
												550026DIS	
				NBR		0.1	20	-10	90	8	220-230V/50Hz	550198DIS	
												550197DIS	
				FKM		2-22	0.1	20	-10	140	8	220-230V/50Hz	550200DIS
													550199DIS
				FKM		1-21	0.1	20	-10	80	8	230V/50Hz	550202DIS
													550201DIS



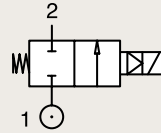
ATEX

Fast Delivery



BRASS  
PIPE MOUNTING

NORMALLY CLOSED

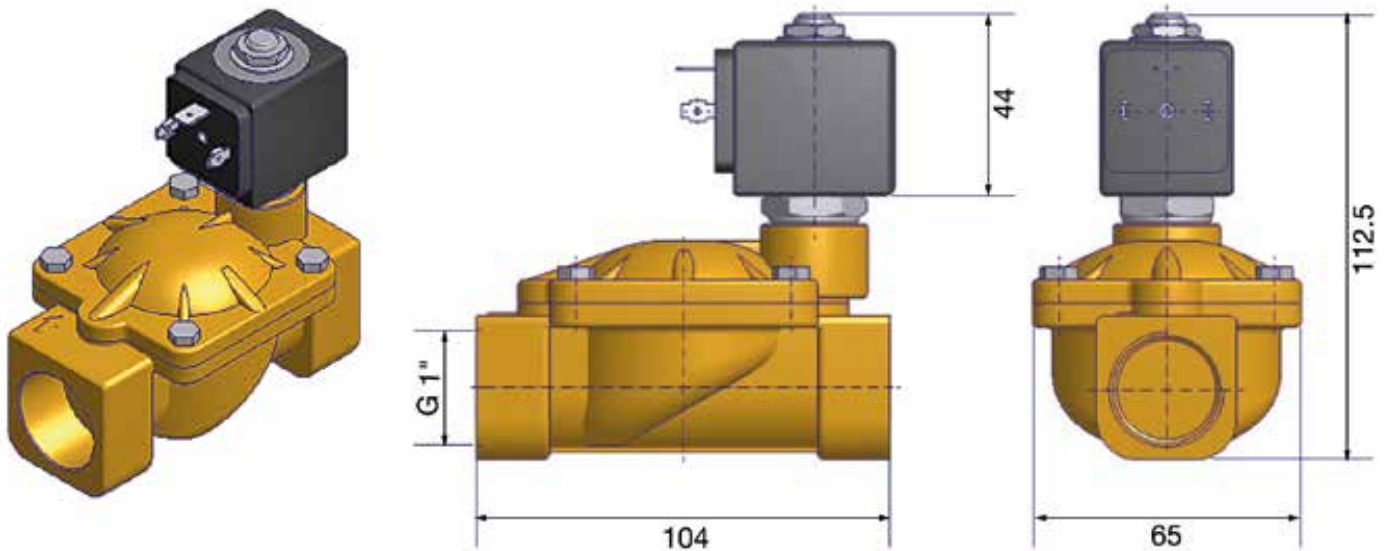


Port size	Orifice Ø	Flow factors			Seat Seal	Atex Zone	Operating Pressure Differential		Fluid Temp.		Power	Voltage	Solenoid Valve Order Number		
		Kv l/min	KV m³/h	Qn l/min			Min bar	Max bar	Min °C	Max °C				W	
1"	25	160	9.60	-	EPDM	-	0.1	10	-10	140	8	220-230V/50Hz	550029DIS		
							0.1	10	-10	140	9	24 Vdc	550028DIS		
							NBR	0.1	20	-10	90	8	220-230V/50Hz	550031DIS	
								0.1	20	-10	90	9	24 Vdc	550030DIS	
							FKM	2-22	0.1	20	-10	140	8	220-230V/50Hz	550204DIS
									0.1	20	-10	140	9	24 Vdc	550203DIS
								1-21	0.1	20	-10	50	8	220-230V/50Hz	550214DIS
									0.1	20	-10	50	9	24 Vdc	550213DIS
									0.1	20	-10	80	8	230V/50Hz	550206DIS
									0.1	20	-10	80	8	24 Vdc	550205DIS



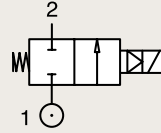
ATEX

Fast Delivery



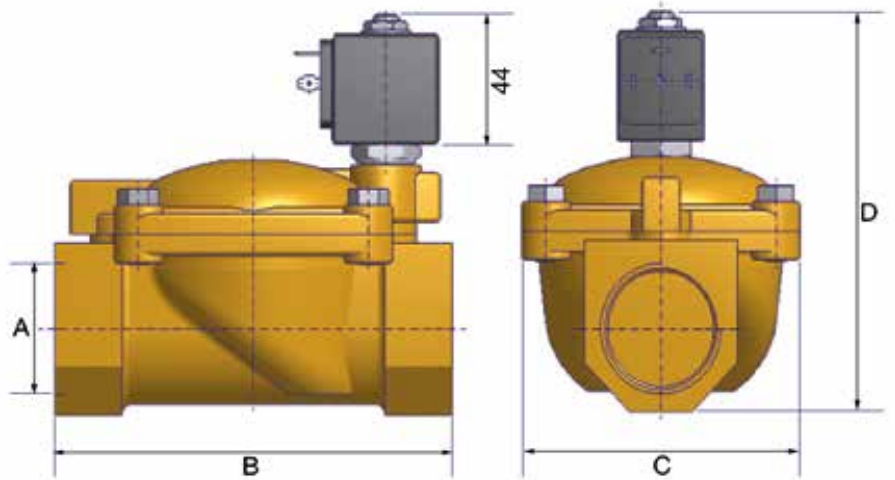
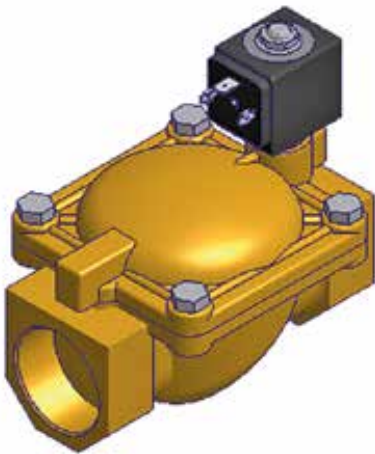
**BRASS  
PIPE MOUNTING**

**NORMALLY CLOSED**



Port size	Orifice Ø	Flow factors			Seat Seal	Atex Zone	Operating Pressure Differential		Fluid Temp.		Power	Voltage	Solenoid Valve Order Number
		Kv l/min	KV m³/h	Qn l/min			Min bar	Max bar	Min °C	Max °C			
1 1/4"	35	420	25.20	-	EPDM	-	0.1	10	-10	140	8	220-230V/50Hz	550208DIS
							0.1	10	-10	140	9	24 Vdc	550207DIS
							0.1	10	-10	90	8	220-230V/50Hz	550033DIS
							0.1	10	-10	90	9	24 Vdc	550032DIS
1 1/2"	40	500	30.00	-	EPDM	-	0.1	10	-10	140	8	220-230V/50Hz	550210DIS
							0.1	10	-10	140	9	24 Vdc	550209DIS
							0.1	10	-10	90	8	220-230V/50Hz	550035DIS
							0.1	10	-10	90	9	24 Vdc	550034DIS
2"	50	620	37.20	-	EPDM	-	0.1	10	-10	140	8	220-230V/50Hz	550218DIS
							0.1	10	-10	140	9	24 Vdc	550217DIS
							0.1	10	-10	90	8	220-230V/50Hz	550216DIS
							0.1	10	-10	90	9	24 Vdc	550215DIS

Fast Delivery



A	B	C	D
G	mm	mm	mm
1 1/4"	145	102	134
1 1/2"	145	102	134
2"	173	118	148