

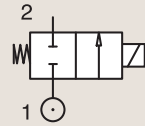
# 2/2 Valves For All Fluids & Air

## DIRECT OPERATED



316L STAINLESS ST.  
PIPE MOUNTING

**NORMALLY CLOSED**

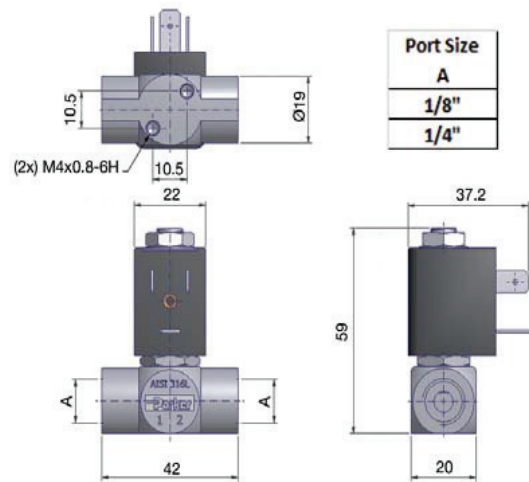
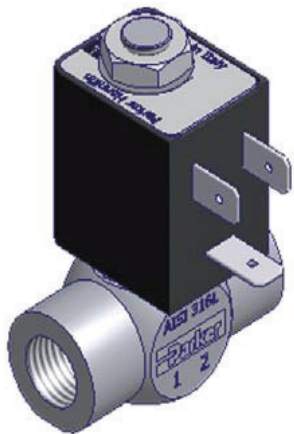


Port size	Orifice Ø	Flow factors			Seat Seal	Atex Zone	Operating Pressure Differential		Fluid Temp.		Power	Voltage	Solenoid Valve Order Number
		Kv l/min	KV m³/h	Qn l/min			Min bar	Max bar	Min °C	Max °C			
1/8"	1.5	1	0.06	-	FKM	-	0	20	-10	140	4	220-230V/50Hz	550001DIS <sub>1</sub>
							0	10	-10	140	5	24 Vdc	550000DIS <sub>1</sub>
							0	20	-10	140	4	220-230V/50Hz	550003DIS <sub>1</sub>
1/4"	2.5	2.3	0.14	-	FKM	-	0	10	-10	140	5	24 Vdc	550002DIS <sub>1</sub>
							0	4	-10	140	4	220-230V/50Hz	550005DIS <sub>1</sub>
	0	4	-10				140	5	24 Vdc	550004DIS <sub>1</sub>			
	0	10	-10				140	11	220V/50-240V/60Hz	550007DIS <sub>2</sub>			
3/8"	5	11	0.66	-	FKM	-	0	11	-10	140	12	24 Vdc	550006DIS <sub>2</sub>
							0	4	-10	140	11	220V/50-240V/60Hz	550009DIS <sub>2</sub>
1/2"	5	11	0.66	-	FKM	-	0	4	-10	140	12	24 Vdc	550008DIS <sub>2</sub>
							0	4	-10	140	11	220V/50-240V/60Hz	550011DIS <sub>2</sub>
							0	4	-10	140	12	24 Vdc	550010DIS <sub>2</sub>

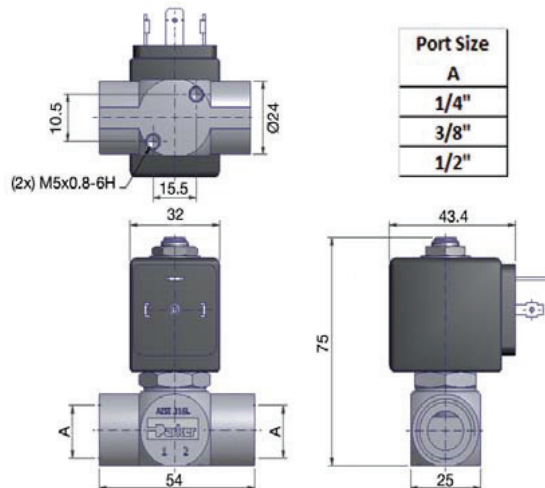
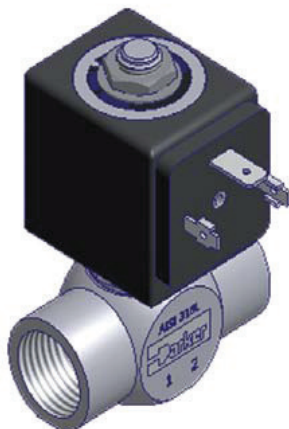
**Notes:**

- 1. Drawing number 1
- 2. Drawing number 2

Fast Delivery



N° 1



N° 2