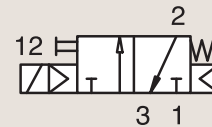


3 Way Valves

3/2 Valves for dry or lubricated air, neutral gases and liquids Direct Operated

ANODIZED ALUMINIUM BANJO

NORMALLY CLOSED



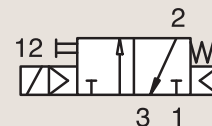
Port size	Orifice Ø	Flow factor	Operating Pressure Differential			Fluid Temp.		Seat Seal	Parker LUCIFER® Valves			Power		Coil Group	Dwg. No.
			Min	Max (MOPD)		Min	Max		Valve Ref.	Housing Ref.	Coil Ref.	AC W	DC W		
BSP	1	Qn l/min	bar	AC bar	DC bar	°C	°C								
1/8"	1.2	50	0	10	10	-10	50	NBR	131B14 ₁₂	-	496131	3	3	1.2	8227
	1.2	50	0	10	10	-10	50	NBR	131B14 ₁₂	-	496482	3	3	1.2	8227
	1.2	50	0	10	10	-10	50	NBR	131B14 ₁₂	-	496637	3	3	1.2	8227

Notes:

1. Valve only compatible with air and neutral gases
2. With manual override

ANODIZED ALUMINIUM BANJO

NORMALLY CLOSED



Port size	Orifice Ø	Flow factor	Operating Pressure Differential			Fluid Temp.		Seat Seal	Parker LUCIFER® Valves			Power		Coil Group	Dwg. No.
			Min	Max (MOPD)		Min	Max		Valve Ref.	Housing Ref.	Coil Ref.	AC W	DC W		
BSP	1	Qn l/min	bar	AC bar	DC bar	°C	°C								
1/4"	1.2	50	0	10	10	-10	50	NBR	131B04 ₁₂	-	496131	3	3	1.2	8226
	1.2	50	0	10	10	-10	50	NBR	131B04 ₁₂	-	496482	3	3	1.2	8226
	1.2	50	0	10	10	-10	50	NBR	131B04 ₁₂	-	496637	3	3	1.2	8226

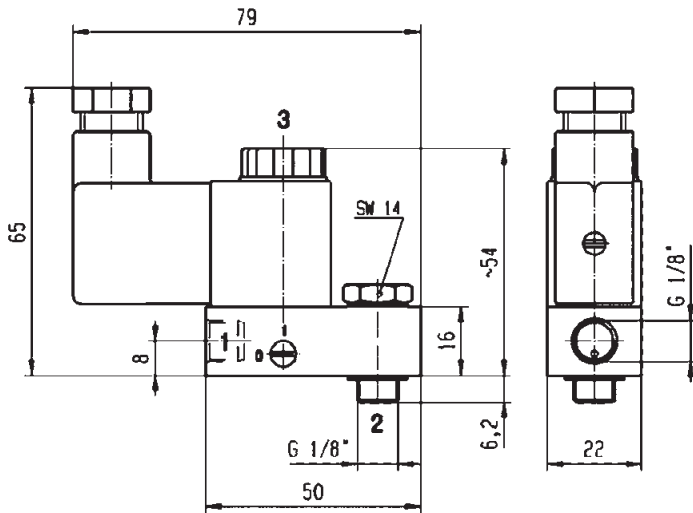
Notes:

1. Valve only compatible with air and neutral gases
2. With manual override

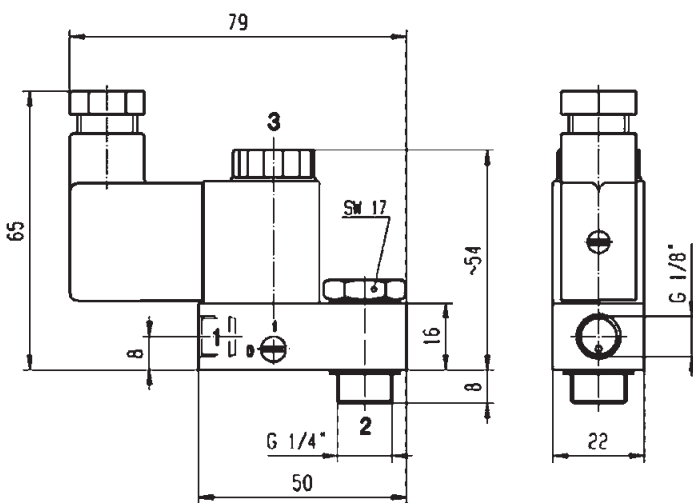
3 Way Valves



For this page	Port size	Orifice (mm)	Qn (l/min)	MOPD (bar)	Fluid Temp (°C)	Amb Temp (°C)
From	1/8"	1.2	50	10	-10	-10
To	1/8"	1.2	50	10	50	50



Drawing 8227



Drawing 8226