

# Sodablasting



## JWL Sodablaster 2 Clean or remove without damaging

JWL Sodablaster 2 is an enhancement of JWL's successful Sodablasting Gun. The nozzle on the Sodablaster 2 is already set for the optimal output and it is possible to change the precision nozzle. A high-performance wide nozzle is available as additional fitting (article no. 145955-000).

JWL Sodablaster 2 is equipped with a practical, refillable container (1,2 L). JWL Sodablasting Gun is suitable for hobby as well as professional use.

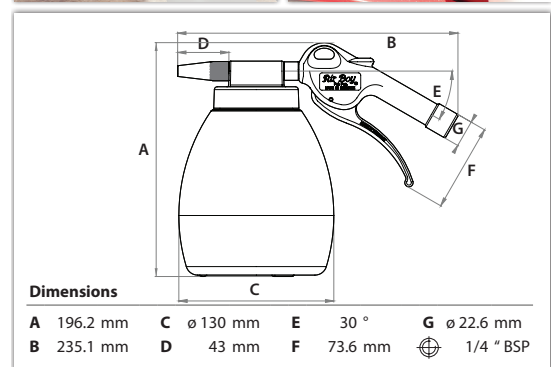
JWL Sodablaster 2 uses soda specifically intended for blasting. Sodablasting is a fast and gentle method of removing paint and corrosion - even from hard to reach places. Sodablasting neither warms up, nor stretches the sheet metal. Sodablasting does not damage glass, rubber or plastic and due to this fact, sodablasting requires a minimal need for shielding. Sodablasting protects the bare metal from rusting right away in contrast to sandblasting.

Sodablasting removes anti-fouling paint from boat without damaging the hull. Sodablasting removes varnish and doesn't damage seals (rubber or plastic).

Sodablasting cleans paint from glass surfaces or window frames without damaging the glass or rubber seals. Sodablasting removes varnish from wooden furniture. Sodablasting is gentle and environmentally friendly.

Always use P2 respiratory protection, hearing protection and eye- and facemask when blasting with soda. Blasting soda is pure  $\text{NaHCO}_3$ , i.e. normal baking soda. It is not dangerous, but may be harmful if inhaled as dust.

NB! requires a compressor with a capacity of at least 2.5 HP / 180 l/min.



Materials		Specifications		Accessories		Code no.
Handle and trigger	Acetal plastic	P	6 - 12 Bar (87 - 174 psi)	Soda specifically intended for blasting: 5 litre		320103-000
Valve	Acetal plastic		minimum 180 l/min	Soda specifically intended for blasting: 25 kg		320101-000
Gaskets / O-rings	Nitrile	kg	~0,411 kg	Precision nozzle in hardened steel, el. galv.		145950-000
Nozzle	Hard. steel, el.galv.			Wide nozzle in POM - 3 pcs.		145955-000
Spring	Hardened spring wire			Container 1.2 Litre		143200