



s.84 Potable Water 1/4"-2" Hot Forged Brass Ball Valves



Legionella is a bacterium that lives and proliferates in natural and artificial aquatic environments, at temperatures ranging between 5.7°C and 55°C, and standing up to acidic and alkaline environments. New s.84W is approved for use with drinking water; the specific ball design avoids water stagnation and the spread of bacteria in the system.

Quality

- 24 hour 100% seal test guaranteed
- Dual sealing system allows valve to be operated in either direction, making installation easier
- No metal-to-metal moving parts
- No maintenance ever required
- Handle clearly shows ball position
- Silicone-free lubricant on all seals
- Travel stops on body to avoid stresses at stem
- Chrome-plated brass ball for longer life with rinse hole

Body

- Hot forged, sand blasted, external nickel-plated brass body and cap sealed with Loctite® or equivalent thread sealant
- Finest brass according to EN 12165 and EN 12164 (formerly DIN 17660 and UNI 5705-65) specifications

Stem

- Blowout-proof nickel plated brass stem
- Two EPDM O-Rings at the stem for maximum safety

Seals

- Pure PTFE self-lubricating seats with flexible lip design

PED Directives

- According to 97/23 CE module A: it cannot be used with dangerous gases in sizes larger than 25mm

Threads

- EN 10226-1 parallel female by female threads

Flow

- Full port to DIN 3357 for maximum flow

Handle

- Geomet® carbon steel handle with thick PVC dip coating; handle coating offers both thermal and electrical protection

Working Pressure

- 40 bar (600 psi)
- Non-shock cold working pressure
- DIN-EN 13828 limitations for potable water: 10 bar (kg/cm²) non-shock cold working pressure and +65°C temperature (occasional excursions up to +90°C are permitted for a period of one hour maximum)

Working Temperature

- -40°C (-40°F) to +150°C (+302°F)
- Warning: freezing of the fluid in the installation may severely damage the valve

Options

- T-handle
- Patented locking device
- Taper male by parallel female threads

Upon Request

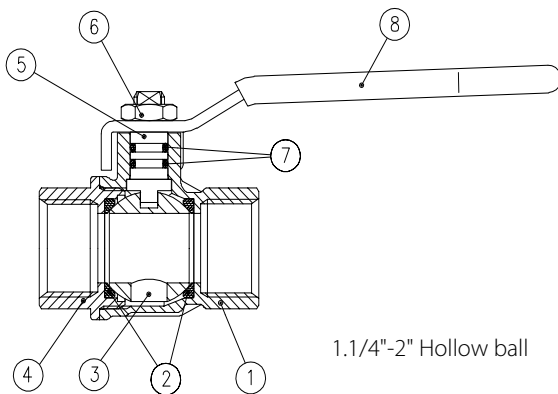
- Glass filled PTFE seals
- Custom design
- Stem extension
- AISI 430 stainless steel handle
- Special configuration for industrial oxygen application

Approved by or in compliance with:

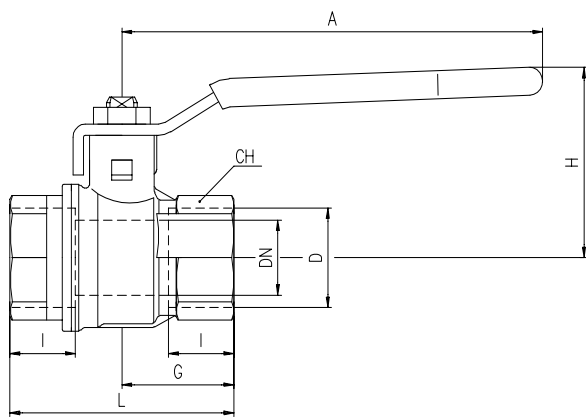
- DVGW (Deutschland)
- GOST-R (Russia)
- Hygiene and Epidemic Centre in Moscow city (Russia)
- Attestation de Conformité Sanitaire (France)
- RoHS Compliant
- EAC – Declaration of conformity (Russia-Kazakhstan-Belarus)



NOTE: Approvals apply to specific configurations/sizes only.



| Part Description | Q.ty | Material |
|--|------|----------|
| 1 Nickel plated body (external treatment) | 1 | CW617N |
| 2 Seat | 2 | PTFE |
| 3 Chrome plated ball with rinse hole (read rinse hole on sizes from 3/4" up to 2") | 1 | CW617N |
| 4 Nickel plated end cap (external treatment) | 1 | CW617N |
| 5 Nickel plated stem O-ring design | 1 | CW617N |
| 6 Geomet® nut | 1 | CB4FF |
| 7 O-Ring | 2 | EPDM |
| 8 Green PVC coated Geomet® steel handle | 1 | DD11 |

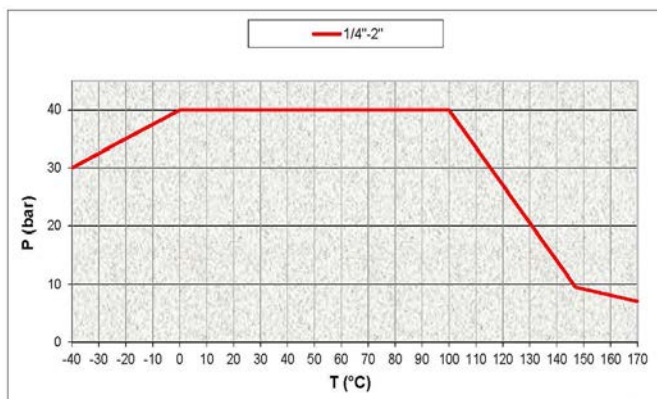


| Code | S84B00W | S84C00W | S84D00W | S84E00W | S84F00W | S84G00W | S84H00W | S84I00W |
|----------|---------|---------|---------|---------|---------|---------|---------|---------|
| D (Inch) | 1/4 | 3/8 | 1/2 | 3/4 | 1 | 1 1/4 | 1 1/2 | 2 |
| DN (mm.) | 8 | 10 | 15 | 20 | 25 | 32 | 40 | 50 |
| I (mm.) | 12 | 12 | 15.5 | 17 | 21 | 23 | 23 | 26.5 |
| L (mm.) | 45 | 45 | 59 | 64 | 81 | 93 | 102 | 121 |
| G (mm.) | 22.5 | 22.5 | 29.5 | 32 | 40.5 | 46.5 | 51 | 60.5 |
| A (mm.) | 82 | 82 | 100 | 120 | 120 | 158 | 158 | 158 |
| H (mm.) | 38 | 38 | 43 | 50 | 54 | 73 | 79 | 86 |
| CH (mm.) | 20 | 20 | 25 | 31 | 40 | 49 | 54 | 68.5 |

DN shows the nominal flow diameter. Actual flow diameter complies with full port DIN 3357 part 4.

Ask for additional information on the whole range of **RuB** valves and consult with your supplier for special applications. Ball valves are marked CE on handle from 1.1/4" to 2" as follow: CE XXCODEXX Cat I-A

Pressure-Temperature Chart



Pressure Drop Chart

