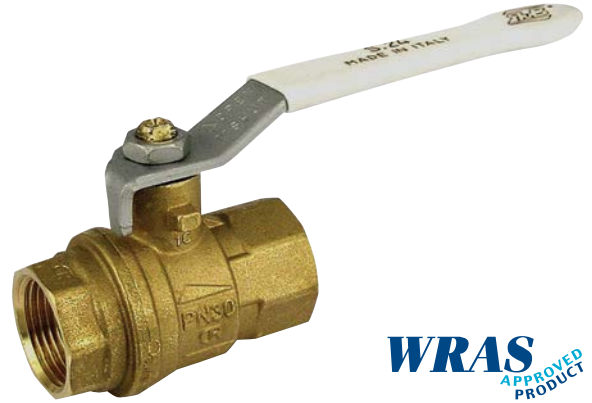




s.24 DZR Full Port 1/2"-4" Dezincification-Resistant Hot Forged Ball Valves



Several governmental authorities recommend the use of special alloys for valves handling water in areas where there is a problem of dezincification. RuB CR valves are designed to meet such requirements. Through the use of new technology, these valves retain the reliability and competitiveness of brass, but are comparable to bronze in corrosion resistance.

Be kind with yourself, make sure the valve that brings you pure fresh water is an RuB CR valve.

Quality

- 24 hour 100% seal test guaranteed
- Dual sealing system allows valve to be operated in either direction, making installation easier
- No metal-to-metal moving parts
- No maintenance ever required
- Handle clearly shows ball position
- Silicone-free lubricant on all seals
- Chrome plated DZR brass ball for longer life
- Handle stops on body to avoid stresses at stem

Body

- Hot forged, sand blasted DZR unplated body and cap sealed with Loctite® or equivalent thread sealant
- Dezincification-resistant ADZ-T and ADZ-P brass, approved to SBNPFS 1983:2 and NR-BFS 1988:18 specifications

Stem

- Two FPM O-rings at the stem for maximum safety
- Blowout-proof unplated DZR brass stem

Seals

- Pure PTFE self-lubricating seats with flexible lip design

PED Directives

- According to 97/23 CE module A, it cannot be used with dangerous gases in sizes larger than 25mm

Threads

- EN 10226-1, ISO 228 parallel female by female threads

Flow

- Full port to DIN 3357 for maximum flow

Handle

- Geomet® carbon steel handle with thick PVC dip coating. Handle coating offers both thermal and electrical protection
- Handle removable with valve in service

Working Pressure

- 30 bar (450 psi)
- Non-shock cold working pressure

Working Temperature

- -40°C (-40°F) to +170°C (+350°F)
- Warning: freezing of the fluid in the installation may severely damage the valve

Options

- CW617N brass body and components
- T-handle
- AISI 430 stainless steel handle
- Oval lockable handle up to 2", round over 2"
- Brass stem extension
- Patented locking device for valves up to 4"

Upon Request

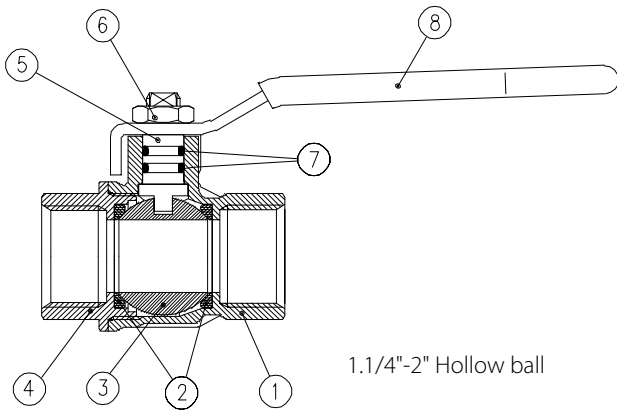
- AISI 316 stainless steel ball
- Glass filled PTFE seals
- Custom design

Approved by or in compliance with:

- Water Regulations Advisory Scheme (United Kingdom)
- GOST-R (Russia)
- Hygiene and Epidemic Centre in Moscow city (Russia)
- UkrSepro (Ukraine)
- RoHS Compliant
- EAC – Declaration of conformity (Russia-Kazakhstan-Belarus)

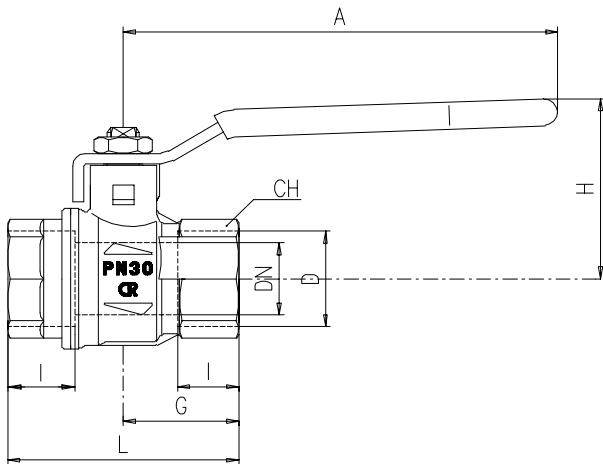


NOTE: Approvals apply to specific configurations/sizes only.



1.1/4"-2" Hollow ball

PART DESCRIPTION	Q.TY	MATERIAL
1 Unplated body	1	CW602N
2 Ball seat	2	PTFE
3 Chrome plated ball	1	CW602N
4 Unplated end cap	1	CW602N
5 Unplated stem O-ring design	1	CW602N
6 Geomet® nut	1	CB4FF
7 O-Ring	2	FPM
8 White PVC coated Geomet® steel handle	1	DD11



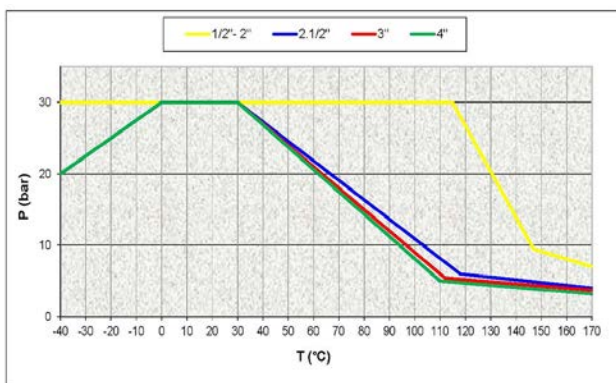
Code	S24D00	S24E00	S24F00	S24G00	S24H00	S24I00	S24L00	S24M00	S24N00
D (inch)	1/2	3/4	1	1 1/4	1 1/2	2	2 1/2	3	4
DN(mm)	15	20	25	32	40	50	65	80	100
I (mm)	15.5	17	21	23	23	26.5	32	35	41.5
L (mm)	59	64	81	93	102	121	156	177	216
G (mm)	29.5	32	40.5	46.5	51	60.5	78	88.5	108
A (mm)	100	120	120	158	158	158	255	255	255
H (mm)	43	50	54	73	79	86	132	140	154
CH(mm)	25	31	40	49	54	68.5	85	99	125

DN shows the nominal flow diameter. Actual flow diameter complies with full port DIN 3357 part 4. Stem configuration of valves over 2" is slightly different.

Ball valves are marked CE on handle from 1.1/4" to 2", on body over 2" as follow: CE XXCODEXX Cat. I-A

Ask for additional information on the whole range of **RuB** valves and consult with your supplier for special applications.

Pressure-Temperature Chart



Pressure Drop Chart

