



## s.84 EN331 Spring Return Full port 1/4"-2" Hot Forged Brass Ball Valves

### Quality

- 24 hour 100% seal test guaranteed
- Dual sealing system allows valve to be operated in either direction, making installation easier
- No metal-to-metal moving parts
- No maintenance ever required
- Handle clearly shows ball position
- Silicone-free lubricant on all seals
- Travel stops on body to avoid stresses at stem
- Chrome-plated brass ball for longer life, with rinse hole

### Body

- Hot forged, sand blasted, external nickel-plated brass body and cap sealed with Loctite® or equivalent thread sealant
- Finest brass according to EN 12165 and EN 12164 (formerly DIN 17660 and UNI 5705-65) specifications

### Stem

- Blowout-proof nickel-plated brass stem
- Two FPM O-rings at the stem for maximum safety

### Seals

- Pure PTFE self-lubricating seats with flexible lip design

### PED Directives

- According to 97/23 CE module A: it cannot be used with dangerous gases in sizes larger than 25mm

### Threads

- EN 10226-1, ISO 228 parallel female by female threads

### Flow

- Full port to DIN 3357 for maximum flow

### Handle

- Robust spring ensures auto shut-off with maximum pressure in valve
- Geomet® carbon steel handle with thick PVC dip coating; handle coating offers both thermal and electrical protection

### Working Pressure

- 40 bar (600 psi)
- Non-shock cold working pressure

### Working Temperature

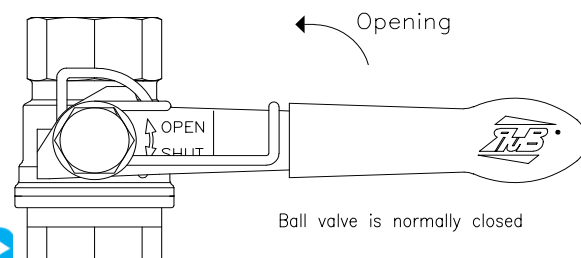
- -40°C (-40°F) to +170°C (+350°F)
- Warning: freezing of the fluid in the installation may severely damage the valve

### Options

- AISI 430 stainless steel handle
- Taper male by parallel female threads

### Upon Request

- AISI 316 stainless steel ball
- Custom design

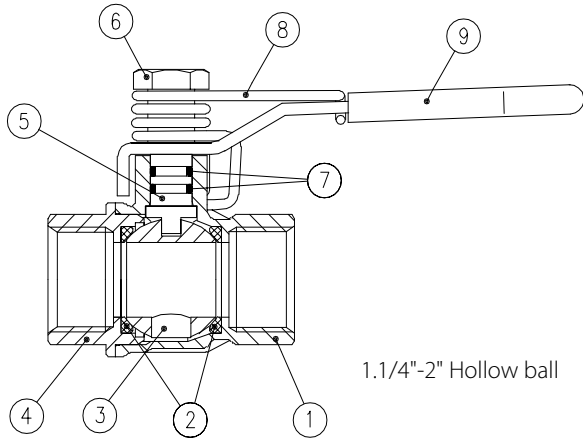


**Approved by or in compliance with:**

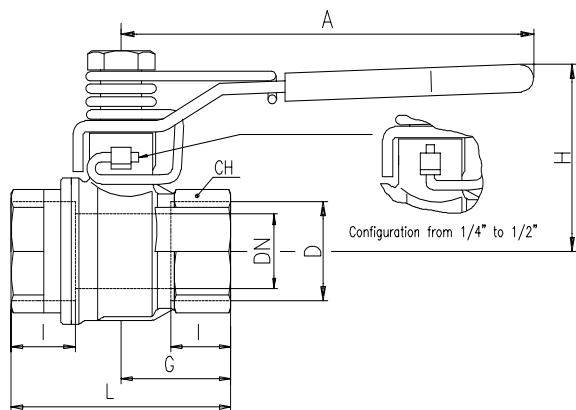
- GOST-R (Russia)
- Hygiene and Epidemic Centre in Moscow city (Russia)
- UkrSepro (Ukraine)
- RoHS Compliant
- EAC – Declaration of conformity (Russia-Kazakhstan-Belarus)



**NOTE:** Approvals apply to specific configurations/sizes only.



1.1/4"-2" Hollow ball



| Part Description   | Q.ty | Material |
|--|------|----------|
| 1 Nickel plated body (external treatment)  | 1    | CW617N   |
| 2 Seat   | 2    | PTFE     |
| 3 Chrome plated ball with rinse hole (the rinse hole is expected from 3/4" up to 2" sizes) | 1    | CW617N   |
| 4 Nickel plated end cap (external treatment)   | 1    | CW617N   |
| 5 Nickel plated stem O-ring design   | 1    | CW617N   |
| 6 Unplated spring nut  | 1    | CW617N   |
| 7 O-Ring   | 2    | FPM      |
| 8 Spring return  | 1    | AISI302  |
| 9 Yellow PVC coated Geomet® steel handle   | 1    | DD11     |

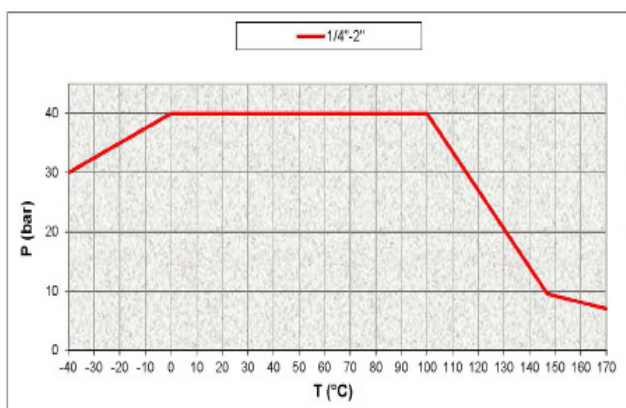
| Code     | S84B00M | S84C00M | S84D00M | S84E00M | S84F00M | S84G00M | S84H00M | S84I00M |
|----------|---------|---------|---------|---------|---------|---------|---------|---------|
| D (Inch) | 1/4     | 3/8     | 1/2     | 3/4     | 1       | 1 1/4   | 1 1/2   | 2       |
| DN (mm)  | 8       | 10      | 15      | 20      | 25      | 32      | 40      | 50      |
| I (mm)   | 12      | 12      | 15.5    | 17      | 21      | 23      | 23      | 26.5    |
| L (mm)   | 45      | 45      | 59      | 64      | 81      | 93      | 102     | 121     |
| G (mm)   | 22.5    | 22.5    | 29.5    | 32      | 40.5    | 46.5    | 51      | 60.5    |
| A (mm)   | 100     | 100     | 100     | 120     | 120     | 158     | 158     | 158     |
| H (mm)   | 38      | 38      | 43      | 50      | 54      | 73      | 79      | 86      |
| CH (mm)  | 20      | 20      | 25      | 31      | 40      | 49      | 54      | 68.5    |

DN shows the nominal flow diameter. Actual flow diameter complies with full port DIN 3357 part 4.

Ask for additional information on the whole range of **RuB** valves and consult with your supplier for special applications.

Ball valves are marked CE on handle from 1.1/4" to 2" as follow:  
CE XXCODEXX Cat I-A

**Pressure-Temperature Chart**



**Pressure Drop Chart**

