



## s.35 High Pressure Mini 1/8"-1/2" Drawn Brass Ball Valves



### Quality

- Dual sealing system allows valve to be operated in either direction, making installation easier
- No metal-to-metal moving parts
- No maintenance ever required
- Silicone-free lubricant on all seals
- Chrome-plated brass ball for longer life
- Each valve is seal tested for maximum safety
- Handle/stem clearly shows ball position

### Body

- One piece drawn sand blasted brass body with extremely compact design
- Finest brass according to EN 12164 specification
- Patent number 7011-B/89

### Stem

- Blowout-proof brass stem with FPM O-ring

### Seals

- Pure PTFE self-lubricating seats with flexible lip design

### PED Directives

- The product meets the requirements of PED Directive 97/23 and according to art.3 par.3, it does not require CE marking

### Threads

- ISO 228 parallel female by female threads

### Handle

- Reinforced nylon black wedge handle, removable with valve in service

### Working Pressure

- 30 bar (450 psi)
- Non-shock cold working pressure

### Working Temperature

- -20°C (-4°F) to +90°C (+200°F)
- +120°C (+250°F) screw driver version and metal wedge handle
- Warning: freezing of the fluid in the installation may severely damage the valve

### Options

- Male by female threads
- Screw driver or wrench operated
- Nylon wedge handle, yellow, red or green
- Metal wedge handle available in red, black, yellow, green, light blue or chrome plated
- Grey wedge handle in Grivory® high performing polymer
- NPT taper ANSI B.1.20.1 threads
- Additional connection options on demand

### Upon Request

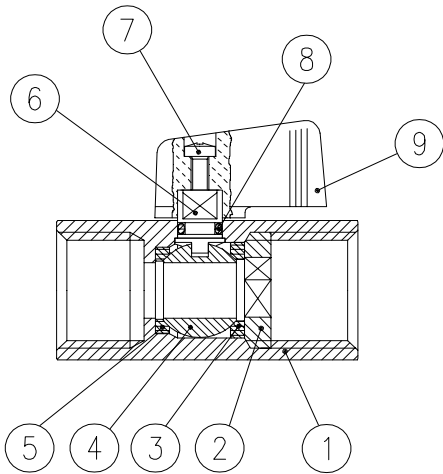
- Aluminum body
- ISO 7/1 BSPT taper threads
- Dezincification-resistant brass, CW602N

**Approved by or in compliance with:**

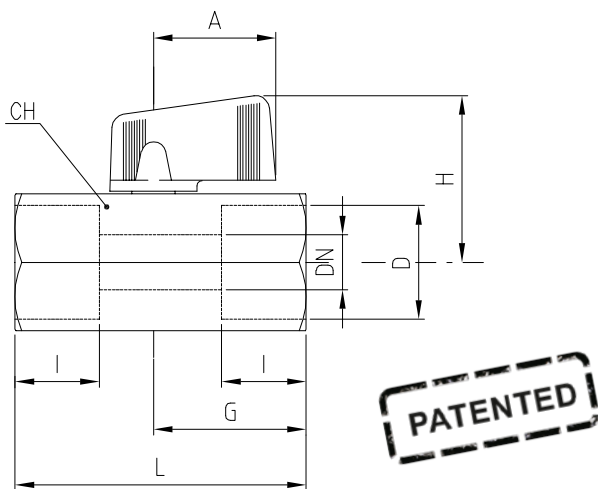
- GOST-R (Russia)
- Hygiene and Epidemic Centre in Moscow city (Russia)
- UkrSepro (Ukraine)
- RoHS Compliant
- EAC – Declaration of conformity (Russia-Kazakhstan-Belarus)



**NOTE:** Approvals apply to specific configurations/sizes only.



Part Description	Q.ty	Material
1	1	CW617N
2	1	CW617N
3	1	PTFE
4	1	CW617N
5	1	PTFE
6	1	CW617N
7	1	CB4FF
8	1	FPM
9	1	Nylon glass filled 30%

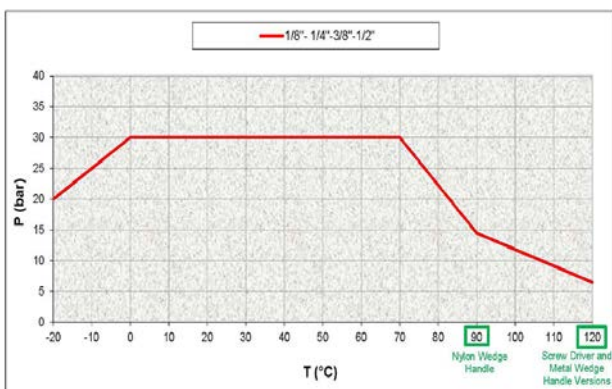


Code	S35AF0	S35BF0	S35CF0	S35DF0
D (inch)	1/8	1/4	3/8	1/2
DN(mm)	6	8	8	10
I (mm)	10	11	11	13
L (mm)	41.5	41.5	41.5	49
G (mm)	22	22	22	26
A (mm)	22.5	22.5	22.5	22.5
H (mm)	31	31	31	33
CH(mm)	21	21	21	25

DN shows the nominal flow diameter.

Ask for additional information on the whole range of **RuB** valves and consult with your supplier for special applications.

**Pressure-Temperature Chart**



**Pressure Drop Chart**

