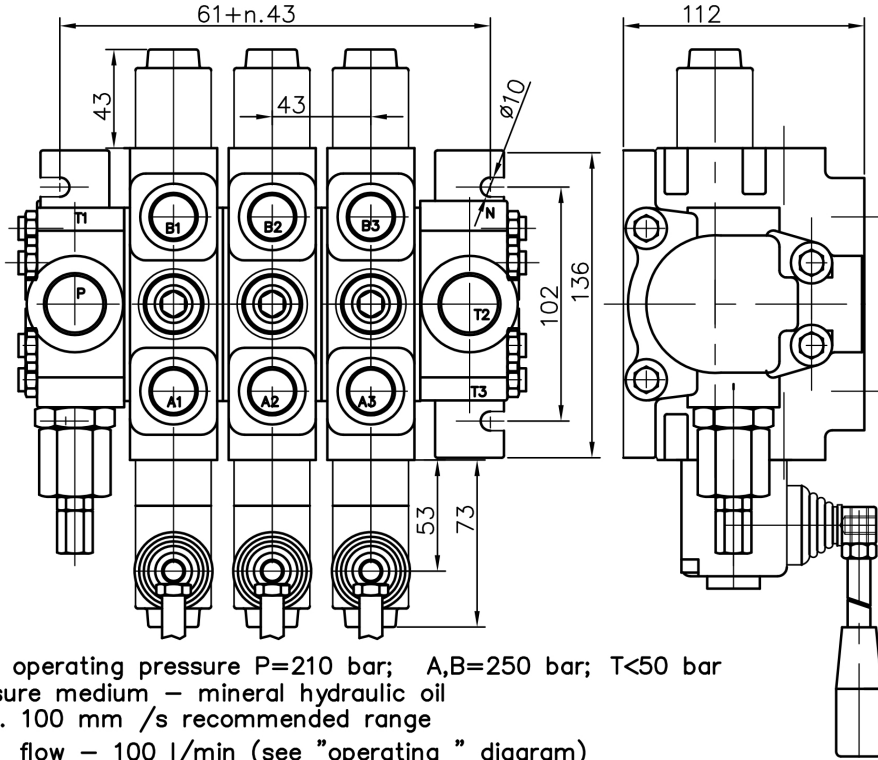


Directional Control Valves PC 100



max. operating pressure P=210 bar; A,B=250 bar; T<50 bar
 pressure medium – mineral hydraulic oil
 20 ... 100 mm /s recommended range
 max flow – 100 l/min (see "operating " diagram)
 nominal flow – 80 l/min (see "operating " diagram)
 n – number of sections – max 8

Order code

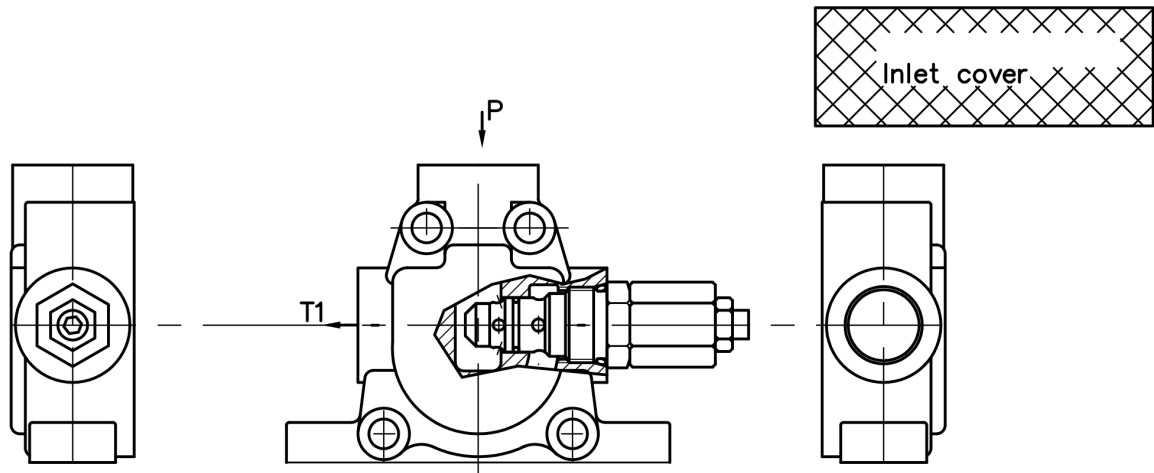
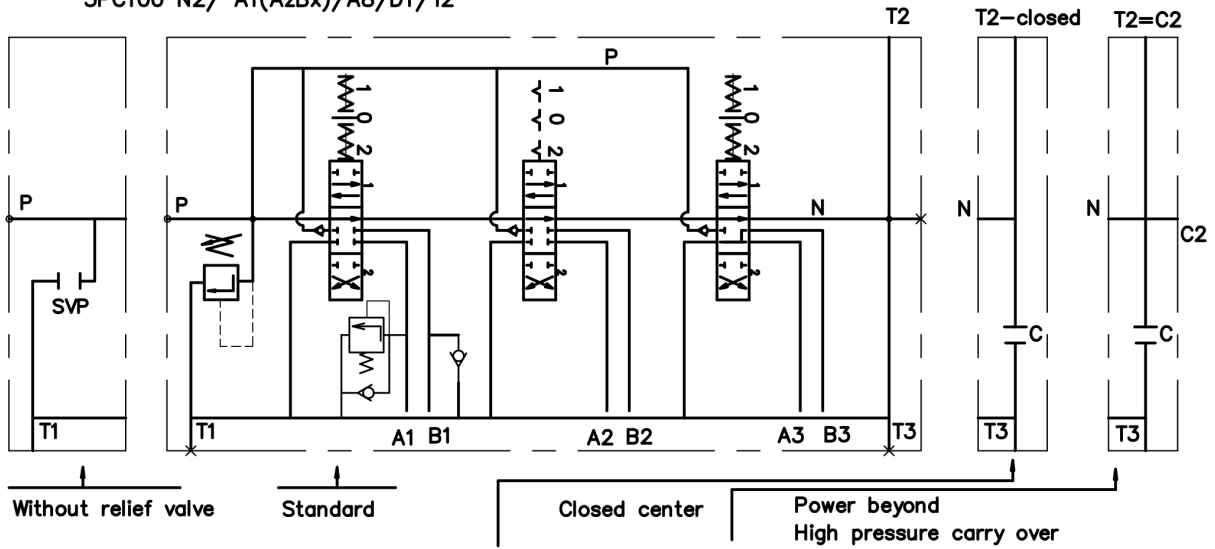
3 PC 100 R N2 /A1(AzBx)/ A8/ D1/ T2 / G KZ1 P E C2

number of spools	3
directional control valve	PC 100
inlet high pressure – right	R
type of the inlet cover	N2
first spool distribution type	/A1(AzBx)/
second spool distribution type	A8/
third spool distribution	D1/
type of the outlet cover (T port)	T2 /
threads (P, A, B, T, N)	G
lever options	KZ1
operation feature	P
with microswitch	E
high pressure carry over	C2

* All detent in operating positions, provided with hydraulic control, have to be ordered explanative.

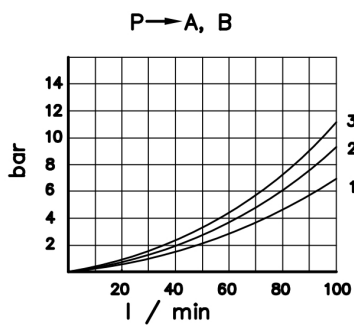
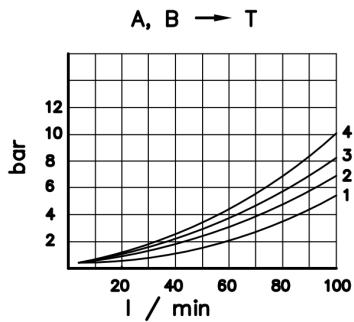
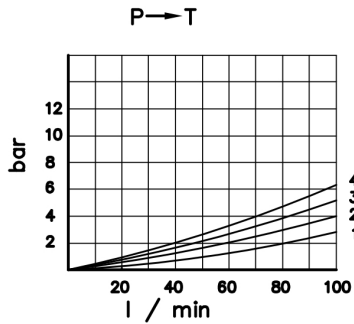
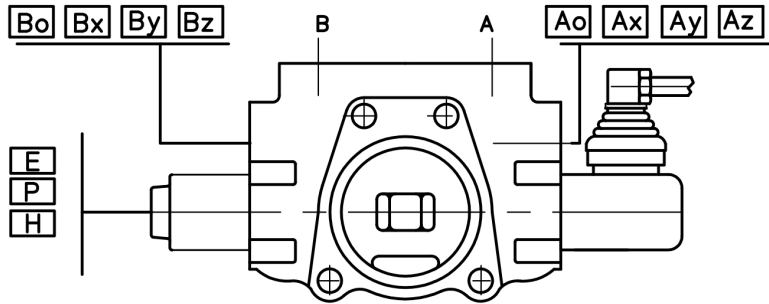
Directional control valve PC 100

parallel circuit
3PC100 N2/ A1(AzBx)/A8/D1/T2



code	inlet cover	
N1	N1 (210 bar)	
N1svp		
N2	N2 (210 bar)	
N2svp		

Directional control valve PC 100



operating diagrams

code std	code met	spool type
A	As	
B	Bs	
C	Cs	
D	Ds	
E	Es	
F	Fs	
G		
H		

code	spool control	
1		1 0 2
2		1 0 2
3		1 0 2
4		0 2
5		1 0
6		1 2
7		1 2
8		1 0 2
9		1 0
10		0 2
11		1 2

code	threads			code	threads		
	P, T	A, B	carry over C2		P, T	A, B	carry over C2
G1	G 3/4	G 1/2	G 3/4	S1	SAE 12	SAE 10	SAE 12
G2	G 3/4	G 3/4	G 3/4	S2	SAE 12	SAE 12	SAE 12

code	with electric switch	
E		mikroswitch Omron - V 165 I C5

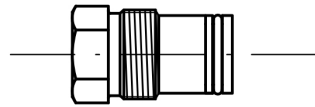
code	operation feature	
P		pneumatic pn = 6 bar NPTF 1/8-27
H		гидравлическое hydraulic pn = 6 - 20 bar G 1/4

Ao	Bo	plug for A and/or B (without mark)
Ax	Bx	anti cavitation valve for A and/or B
Ay	By	secondary pressure relief valve for A and/or B
Az	Bz	shockabsorber valve for A and/or B

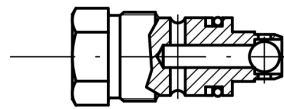
Directional control valve PC 100

second valves

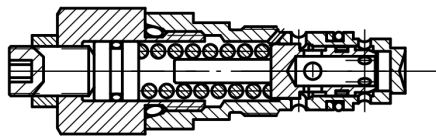
plug "o"



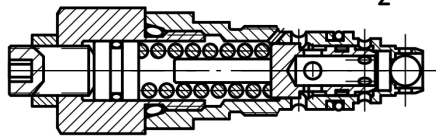
anticavitation valve "x"



second relief valve "y"



combined part relief and anticavitation valve "z"

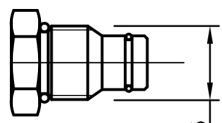


general operation feature

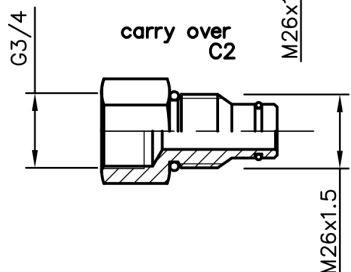
code	feature	code	feature	code	feature
KZ		KY		KI	
KZ1		KY1		KI1	
KZ0		KY0		KI0	
KZ01		KY01		KI01	
- без система управления / without lever system					



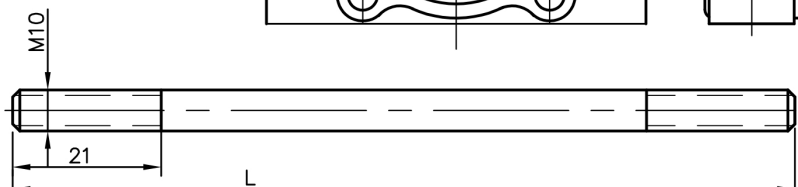
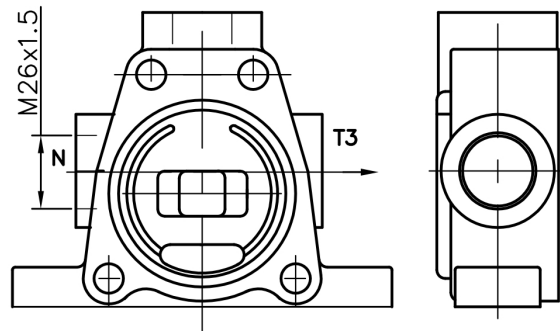
closed center C



carry over C2



T2 or (T2=C2) high pressure carry over



*"C" in the port N—+plug in T2—closed center
 **"C" in the port N—carry over in T2
 ***"C2"+Plug in the T2— carry over in N

number of spools	1	2	3	4	5	6	7	8
L	145	188	230	275	320	360	405	445