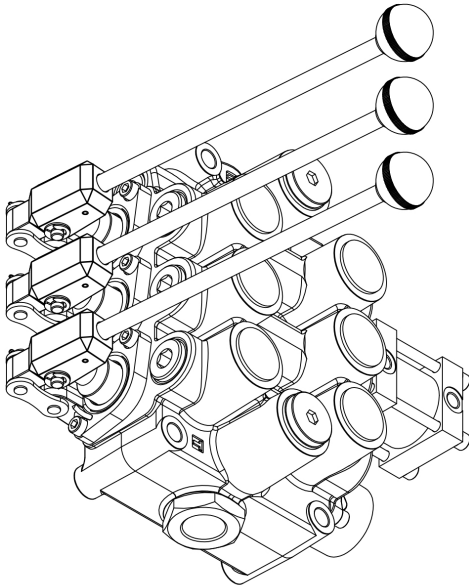


Directional Control Valves S290

Nordvalves
hydraulic components



Description

For starting, controlling and stopping the working fluid between the generator of pressured flow, the consumers at the Tank.

Specifications

1.Valve monoblock	
2.Mounting	3 bolts M8
3.Pressure connections	internal thread
4.Ambient temperature	-40C...+60C
5.Pressure medium	mineral oil based hydraulic oil
6.Viscosity	12...800 mm ² /s permissible range 20...100 mm ² /s recommended range
7.Fluid temperature	- 15C...+80C
8.Filtration	Oil contamination 10 to NAS1638
9. Max. operating pressure	P = 250 bar T = 50 bar A, B = 300 bar
10.Leakage	20-40 cm ³ /min at 120 bar
	(A, B – T)
11.Nominal flow	90 l/min (see “operating” diagram)
12.Spool stroke	± 7 mm
13.Actuating force	< 300 N in spool axis direction

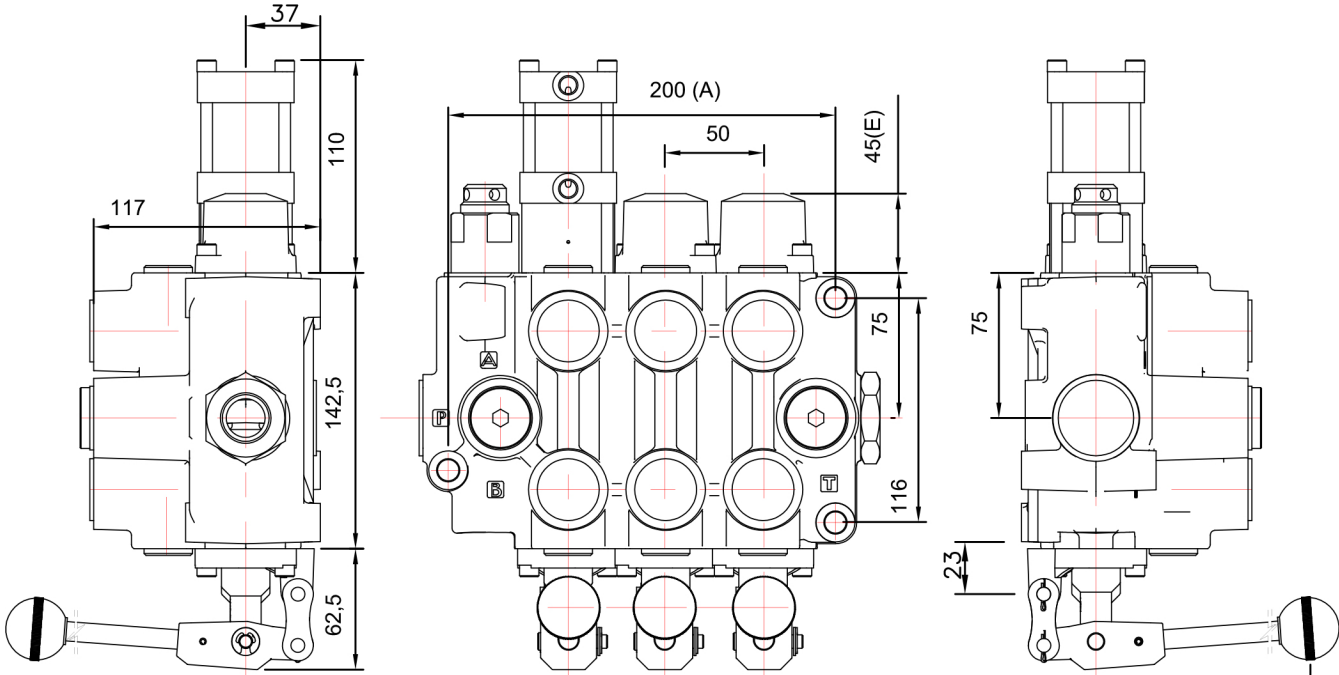
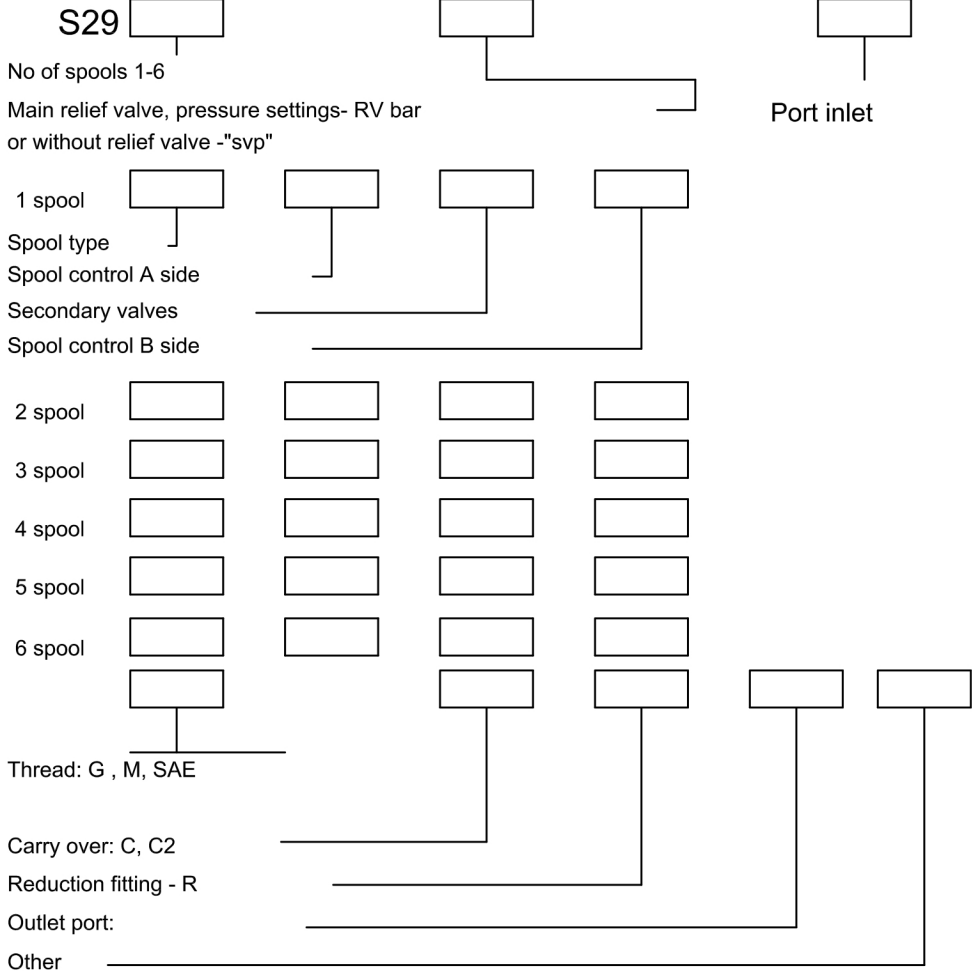


Table 1

A	100	150	200	250	350
	S291	S292	S293	S294	S296

Table 2

spool control	E
1; 4; 5; 6; 7; 8; 9; 10; 11;	45
2; 3;	76



S293-svpP2-As1(Ay50By300)S1-AsS1-As(AzBz)S1-SAE-R

Directional Control Valve S290

S293 - RY220P2-As1S1-A1(A*200By100)S1-A1S1-G-T2

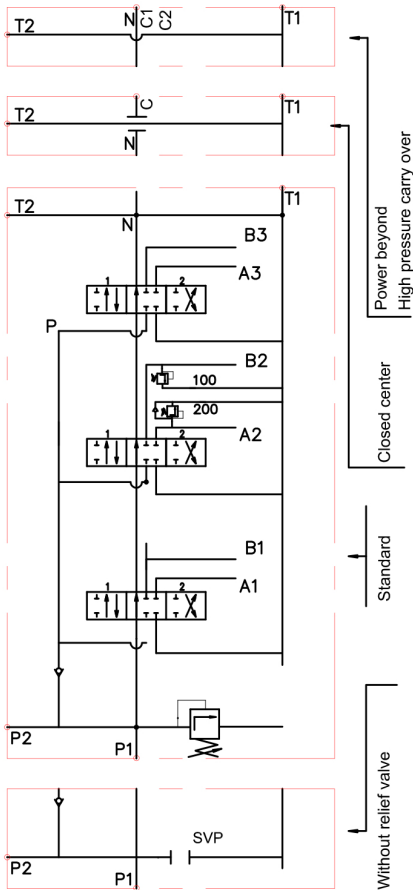


Table 3

code	Number of spools
S291	1
S292	2
S293	3

Table 4

code	way of distribution
S291	parallel

ets.

Table 5

code 90 l/min	code 110 l/min	spool type
As	A	
Bs	B	
Cs	C	
Ds	D	
Es	E	
Fs	F	
Ks		

Table 6

code	spool control
1	
2	
3	
6	
7	
8	
11	
12	
13	

Table 7

code	; incorporated microswitch	
E		mikroswitch type Omron-V 165 I C5

Table 8

code	; operation feature	
P		on-off pneumatic control; 5-10 bar ; ports G1/8
H		on-off hydraulic control ; pn = 7 - 20 bar ; ports G1/4

S290

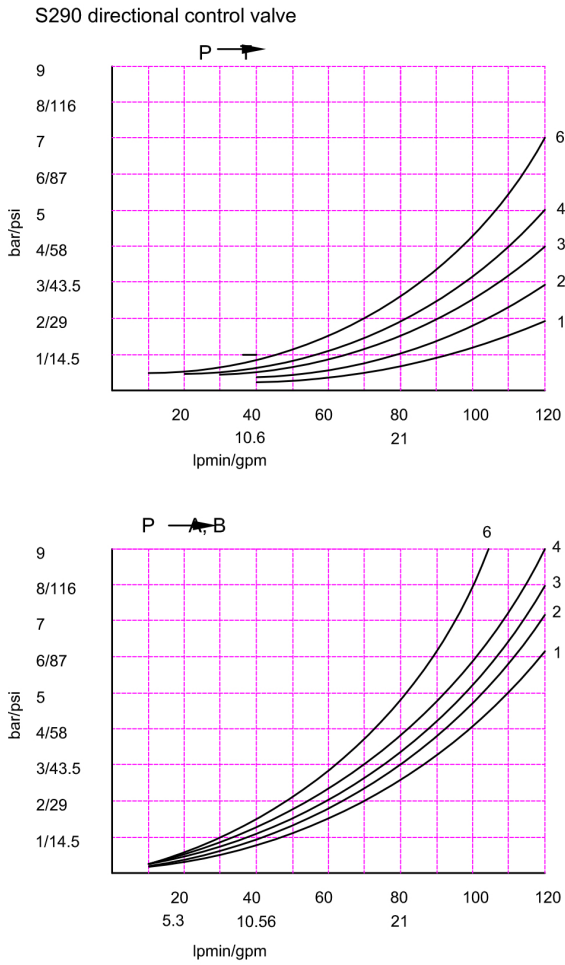
Table 9

code	ports (treads) ;			
	P1, P2	A ; B; T2	T1	N
G	G3/4	G3/4	G1"	G1"
S	1 1/16-12UN-2B	1 1/16-12UN-2B	1 5/16-12UN-2B	G1"

Pilot ports

pneumatic	G1/8	NPTF 1/8-27
hydraulic	G1/4	9/16-18UNF-2B(SAE6)

Directional Control Valve S290



kind of hand control

Table 10

code	feature
S1	Hand lever vertical.Link connection.
S7	Hand lever vertical.Link connection. Opposite direction.
S2	Hand lever horizontal.Link connection.
KZ1	Hand lever horizontal.Link connection. Encased
ju	Hand lever for dual spool control.
-	without hand control ;

Table 11

code	feature
C	closed center
C2	part for power beyond sleeve(carry over)
	without part for pressure carry over