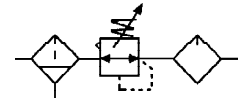


**DC** Air Source Treatment Unit

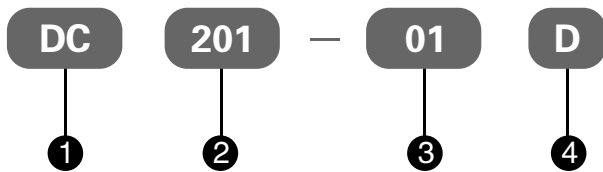
**Filter Regulator+Lubricator**

**Specification:**

|                              |                |                    |                    |             |
|------------------------------|----------------|--------------------|--------------------|-------------|
| Type                         | DC101-M5,01    | DC201-01,02,03     | DC401-03,04,06     | DC601-06,08 |
| Port size G                  | M5 · 1/8"      | 1/8" · 1/4" · 3/8" | 3/8" · 1/2" · 3/4" | 3/4" · 1"   |
| Gauge thread G               | M5             | 1/8"               | 1/4"               |             |
| Fluid                        | Compressed Air |                    |                    |             |
| Operating pressure range MPa | 0.15~0.85      | 0.15~1.2           |                    |             |
| Max.Flow rate L/min          | 500            | 1700               | 3500               | 11500       |
| Ambient temperature °C       | -10~60         |                    |                    |             |
| Filter precision             | 5µm or 40µm    |                    |                    |             |
| Structure                    | Overflow type  |                    |                    |             |
| Guard cup                    | -              | ●                  | ●                  | ●           |

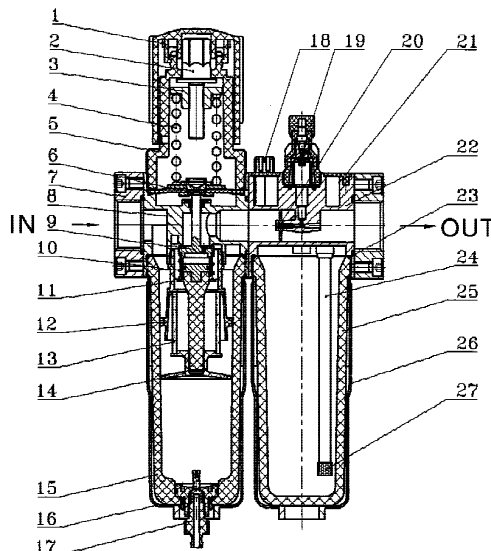


**How to order:**



|   |   |
|---|---|
| ① | DC Filter Regulator+Lubricator                                    |
| ② | Type: 101,201,401,601   |
| ③ | Port size: M5,01:G1/8",02:G1/4",03:G3/8",04:G1/2",06:G3/4",08:G1" |
| ④ | □: Manual drain, D: Auto-drain;                                   |

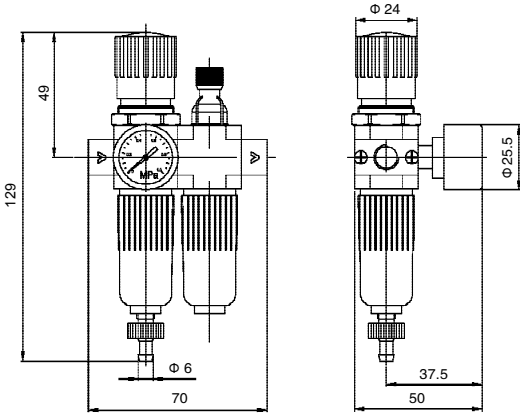
**Inner structure drawing:**



| No | code                   | No | code                  |
|----|------------------------|----|-----------------------|
| 1  | Adjustable button      | 15 | Water cup             |
| 2  | Adjustable launch      | 16 | Guard cup             |
| 3  | Nut                    | 17 | Drainer               |
| 4  | Main adjustable spring | 18 | Plug                  |
| 5  | Valve cover            | 19 | Oil window component  |
| 6  | Diaphragm              | 20 | Damping fin           |
| 7  | Connecting block       | 21 | Decorative cover      |
| 8  | FRbody                 | 22 | Lubricator valve body |
| 9  | Cartridge              | 23 | O-ring                |
| 10 | Cartridge spring       | 24 | Oil tube              |
| 11 | Core pedestal          | 25 | Oil cup               |
| 12 | Impeller               | 26 | Oil cup block         |
| 13 | Filter core            | 27 | Filter core           |
| 14 | Barrier board          |    |                       |

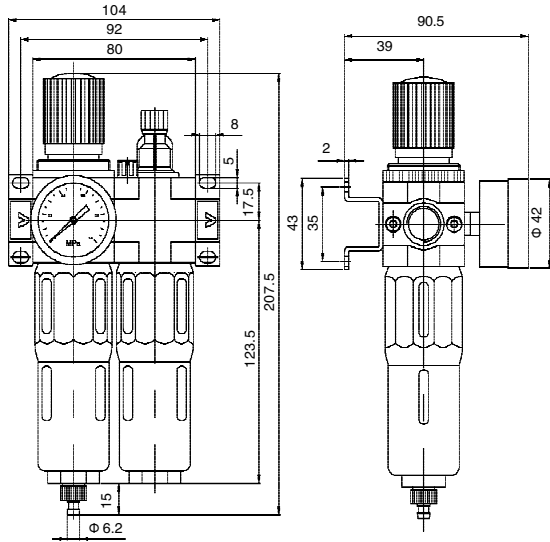
**Dimension(mm):**

■ DC101-M5、01

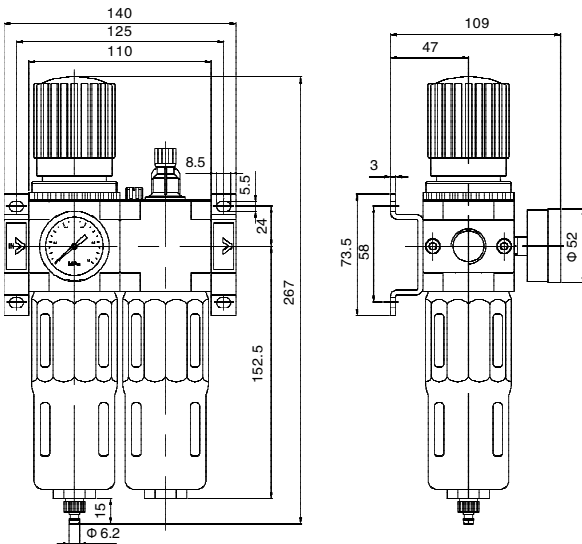


M5 is without connector

■ DC201-01、02、03



■ DC401-03、04、06



■ DC601-06、08

