

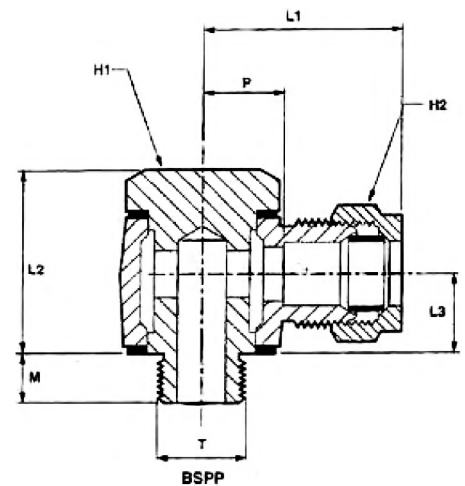
# Single Banjo Coupling with Steel Bolt, Metric

# Wade



## Features & Benefits

- The construction incorporates a brass body and a steel bolt for additional strength
- The design enables connection of tube at 90° to the BSP parallel male stud thread
- The banjo coupling allows rotational adjustment. During installation, (before fully tightening the hexagon head on the banjo bolt), the tube outlet (compression end) can be aligned in any direction within a 360° turning circle. This provides a distinct advantage over a standard BSP parallel male stud elbow which does not allow the same degree of adjustment
- Banjo couplings are commonly used on automotive fuel, oil and hydraulic applications such as brake and clutch systems



Part No	Tube OD	T BSPP Male Thread	M Stud Length	L1 Length	L2 Length	L3 Length	H1 Hex A/F	H2 Hex A/F	P Abutment
WADE-MJ108/081	8	1/8"	10.5mm	26.5mm	24mm	9.5mm	14mm	14mm	11.5mm
WADE-MJ108/161	8	1/4"	16mm	30.5mm	31.5mm	13mm	19mm	14mm	15.5mm
WADE-MJ110/161	12	3/8"	16mm	33.5mm	38.5mm	16mm	22mm	22mm	18mm
WADE-MJ112/321	12	1/2"	21mm	34mm	45.5mm	19.5mm	27mm	22mm	18.5mm