

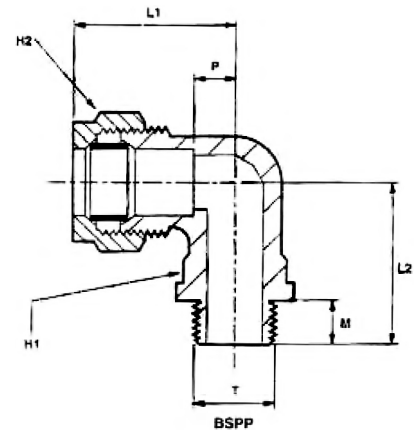
Male Stud Elbow, BSP Parallel, Metric

Wade



Features & Benefits

- 90° Elbow configuration with a BSP parallel male stud thread
- Enables tube connection to a mating BSP parallel BS2779 female threaded port



Part No	Tube OD	T BSPP Male Thread	M Stud Length	L1 Length	L2 Length	H1 Hex A/F	H2 Hex A/F	P Abutment
WADE-ME106/081	6	1/8"	7mm	26.5mm	23.7mm	10mm	12mm	13.5mm
WADE-ME106/161	6	1/4"	10.5mm	27mm	29.2mm	10mm	12mm	13.5mm
WADE-ME108/081	8	1/8"	7mm	28.5mm	23.7mm	10mm	14mm	13.5mm
WADE-ME110/161	10	1/4"	10.5mm	31.5mm	32mm	12mm	19mm	16.5mm
WADE-ME110/241	10	3/8"	11mm	31.5mm	34.5mm	12mm	19mm	16.5mm