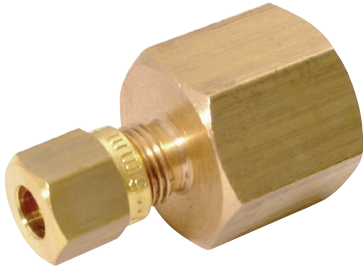


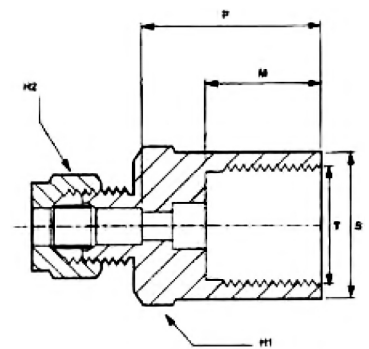
Female Pressure Gauge Connector, BSP Parallel, Metric

Wade



Features & Benefits

- In-line configuration with a BSP parallel female stud thread
- Enables tube connection to a mating BSP parallel male thread on a pressure gauge
- Designed with a BSP parallel female thread to enable tube connection with a pressure gauge
- The internal form at the back of this thread is dimensioned to house the external male BSP parallel connection thread of the pressure gauge



Part No	Tube OD	T BSP Female Thread	M Stud Length	H1 Hex A/F	H2 Hex A/F	P Abutment
WADE-MGA104/162	4	1/4"	11mm	19mm	10mm	22mm
WADE-MGA106/162	6	1/4"	11mm	19mm	12mm	22mm
WADE-MGA106/322	6	1/2"	15.5mm	27mm	12mm	25.5mm