

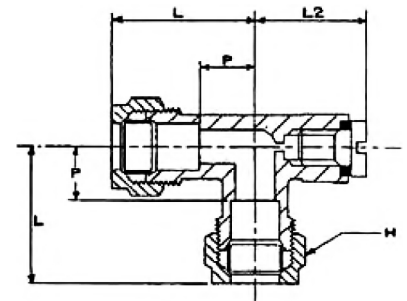
# Test Point Elbow, Imperial

# Wade



## Features & Benefits

- Range includes in-line tube to tube unions, tube to tube elbows and 1/8" BSP taper male nipples
- Designed to provide a pressure test point for LPG and natural gas systems
- Conform to BS 4161
- Compression ends are designed and manufactured to BS 2051
- Wade test point fittings are widely used on caravan and boat pipe installations where EU regulations stipulate the fitting of test points on gas system pipework



Part No	Tube OD	L Length	L2 Length	H Hex A/F	P Abutment
WADE-TP2043E	1/4"	0.812"	0.812"	0.601"	0.25"
WADE-TP2045E	5/16"	0.812"	0.812"	0.601"	E
WADE-TP2048E	3/8"	1.031"	1.031"	0.82"	0.375"
WADE-TP2051E	1/2"	1.093"	1.093"	0.92"	0.312"