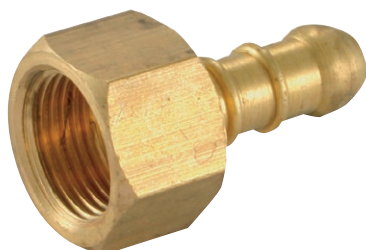


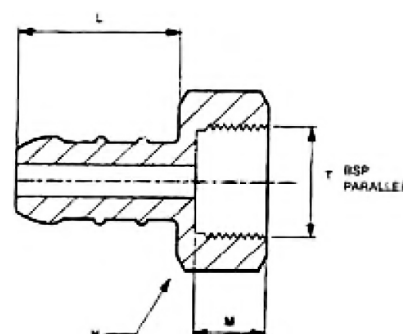
# 'Fulham' Rubber Hose Nozzle Adaptor, BSP Parallel Female, Imperial

# Wade



## Features & Benefits

- A range of brass 'Fulham' rubber hose nozzle adaptors with BSP parallel male, BSP parallel female and BSP taper male stud thread connections
- Providing a quick and easy male or female stud thread connection with 3/8" inside diameter LPG rubber hose
- Enabling hose connection to mating BSP parallel BS2779, BSP taper or BSP parallel BS21 female threaded ports and BSP parallel male stud threads
- The hose connection is made by pushing the end of the tube over the hose tail stem, securing it into place with a jubilee clip or O clip
- Designed for use on low pressure LPG and natural gas applications, particularly within the caravan and leisure industry



Part No	To Suit Hose Bore	T BSP Male	M Length	L Length	H Hex A/F
WADE-F102	3/8" (10mm)	1/8"	0.359"	0.93"	0.445"
WADE-F103	3/8" (10mm)	1/4"	0.39"	0.93"	0.601"
WADE-F104	3/8" (10mm)	3/8"	0.421"	0.93"	0.82"