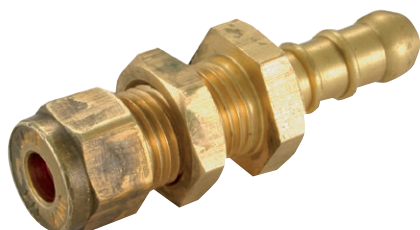


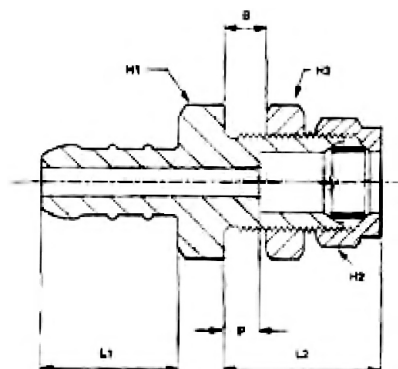
'Fulham' Rubber Hose Nozzle Bulkhead Adaptor, Imperial

Wade



Features & Benefits

- A range of brass 'Fulham' rubber hose nozzle adaptors with compression ends to suit copper tube. The range includes a bulkhead option
- Providing a quick and easy copper tube connection with 3/8" inside diameter LPG rubber hose
- Enabling hose connection to mating BSP parallel BS2779, BSP taper or BSP parallel BS21 female threaded ports and BSP parallel male stud threads
- The hose connection is made by pushing the end of the tube over the hose tail stem, securing it into place with a jubilee clip or O clip
- Designed for use on low pressure LPG and natural gas applications, particularly within the caravan and leisure industry



Part No	To Suit Hose Bore	Tube OD	L1 Length	L2 Length	H1 Hex A/F	H2 Hex A/F	H3 Hex A/F	P Abutment	B Max Bulkhead	Bulkhead Hole Dia
WADE-F101/L4	3/8" (10mm)	1/4"	0.93"	1.125"	0.71"	0.601"	0.601"	0.437"	1/4"	0.531"
WADE-F101A/L45/16	3/8" (10mm)	5/16"	0.93"	1.125"	0.71"	0.601"	0.601"	0.437"	1/4"	0.531"