

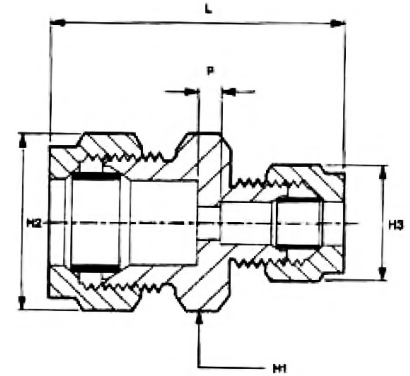
Unequal Coupling, Imperial

Wade



Features & Benefits

- In-line configuration
- Enables connection of two tubes of different outside diameters



Part No	Tube OD	Tube OD	L Length	H1 Hex A/F	H2 Hex A/F	H3 Hex A/F	P Abutment
WADE-4043/0	1/4"	1/8"	1.87"	0.525"	0.601"	0.445"	0.156"
WADE-4043/1	1/4"	3/16"	1.187"	0.525"	0.601"	0.445"	0.156"
WADE-4045/1	5/16"	3/16"	1.187"	0.525"	0.601"	0.445"	0.156"
WADE-4045/3	5/16"	1/4"	1.25"	0.601"	0.601"	0.601"	0.125"
WADE-4048/3	3/8"	1/4"	1.375"	0.71"	0.82"	0.601"	0.125"
WADE-4048/5	3/8"	5/16"	1.375"	0.71"	0.82"	0.601"	0.156"
WADE-4051/3	1/2"	1/4"	1.5"	0.92"	0.92"	0.601"	0.156"
WADE-4051/5	1/2"	5/16"	1.5"	0.92"	0.92"	0.601"	0.156"
WADE-4051/8	1/2"	3/8"	1.562"	0.92"	0.92"	0.82"	0.125"