

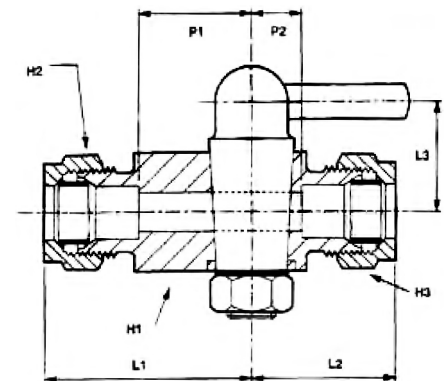
# Plug Cock, Imperial

# Wade



## Features & Benefits

- In-line configuration
- Enables connection of two tubes of the same outside diameter
- Lever handle and 1/4 turn operation
- Incorporates an internal plug which is drilled across its axis, allowing flow only when the drilled hole is in line with the inlet and outlet
- Designed for low pressure hydraulic and pneumatic applications with a maximum working pressure of 30 psi (2 bar)



Part No	Tube OD	Tube OD	L1 Length	L2 Length	L3 Length	H1 Hex A/F	H2 Hex A/F	H3 Hex A/F	P1 Abutment	P2 Abutment
WADE-3003	1/4"	1/4"	1.25"	0.875"	0.625"	0.525"	0.601"	0.601"	0.687"	0.312"
WADE-3005	5/16"	5/16"	1.25"	0.875"	0.625"	0.525"	0.601"	0.601"	0.687"	0.312"