

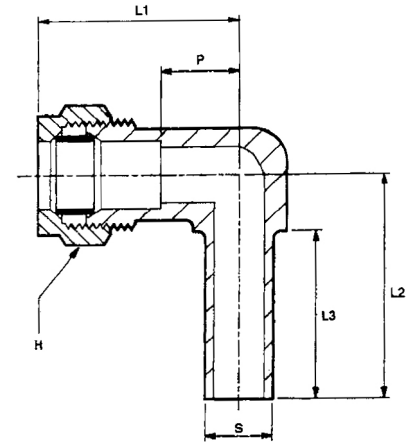
Standpipe Elbow, Imperial

Wade



Features & Benefits

- 90° Elbow configuration
- The standpipe feature allows rotational adjustment, enabling the standpipe stem to be jointed with a corresponding compression end, in any alignment within a 360° turning circle



Part No	Tube OD	Standpipe Diameter	L1 Length	L2 Length	L3 Length	H Hex A/F	P Abutment
WADE-2103	1/4"	1/4"	1.062"	1.187"	0.906"	0.601"	0.5"
WADE-2105	5/16"	5/16"	1.062"	1.187"	0.906"	0.601"	0.5"