

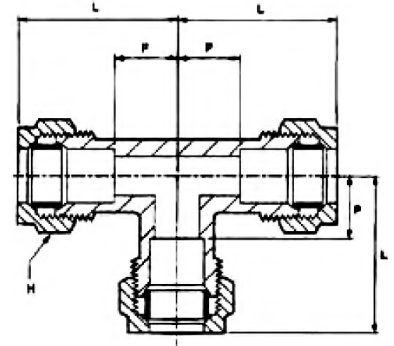
Equal Tee, Imperial

Wade



Features & Benefits

- 'T' configuration
- Enables connection of three tubes of the same outside diameter



Part No	Tube OD	L Length	H Hex A/F	P Abutment
WADE-2040	1/8"	0.718"	0.445"	0.25"
WADE-2041	3/16"	0.718"	0.445"	0.25"
WADE-2043	1/4"	0.812"	0.601"	0.25"
WADE-2045	5/16"	0.812"	0.601"	0.25"
WADE-2048	3/8"	1.031"	0.82"	0.375"
WADE-2051	1/2"	1.093"	0.92"	0.312"